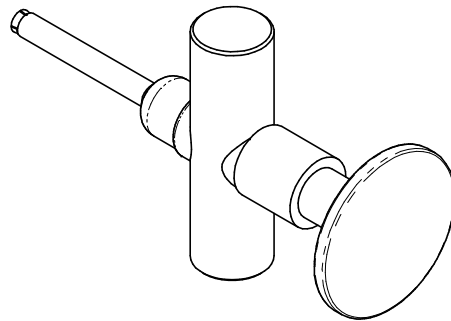
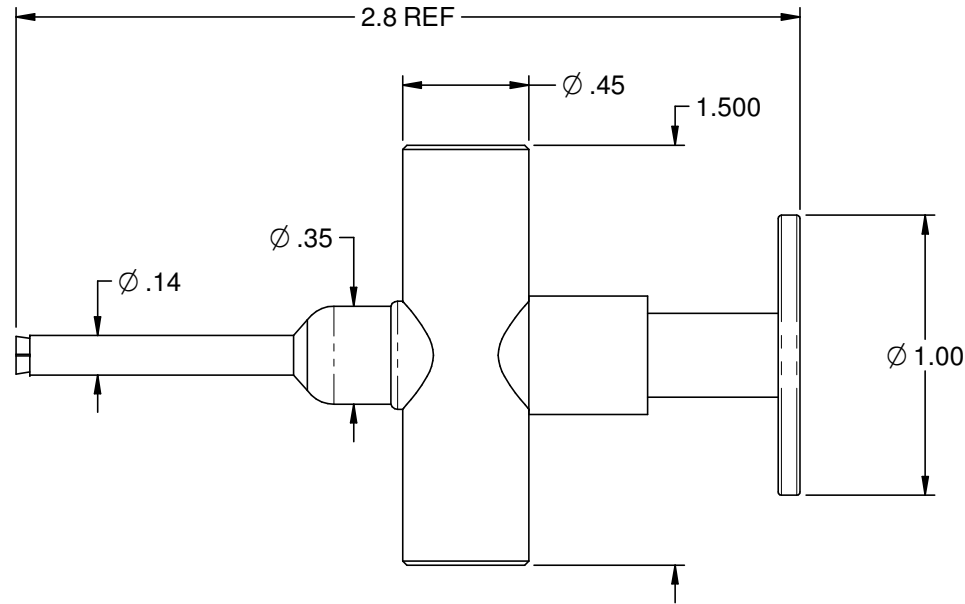


PART NUMBER	BODY	COLLET
125-0000-901	STAINLESS STEEL 303 PASSIVATED	BERYLLIUM COPPER NICKEL PLATED

REV	ECO	DATE
1	ECO-13-0089	4/9/2013
2	ECO-19-0005	2/20/2019



<p>This PROPRIETARY Document is property of Cinch Connectivity Solutions. It is confidential in nature, non-transferable, and issued with the clear understanding that it is not traced or copied without permission and is returnable upon demand.</p> <p>INTERPRET DRAWING IN ACCORDANCE WITH ASME Y14.5-2009.</p>	Material:	Model No.		Title: SMPM BULLET ADAPTER INSTALLATION/EXTRACTION TOOL	
	SEE NOTE	RoHS2 <input checked="" type="checkbox"/> 2011/65/EU	Cage Code	Drawing No. 125-0000-901	
	Finish:	UNLESS OTHERWISE SPECIFIED UNITS: INCH .XX ±.01 .XXX ±.003 .XXXX ±.0010 ANGLES ±1°00'	3RD ANGLE PROJECTION 	Drawn by: R. SHEN	Rev. 2
	Workmanship Std:		Date: 2/20/2019	Size A	DO NOT SCALE DRAWING