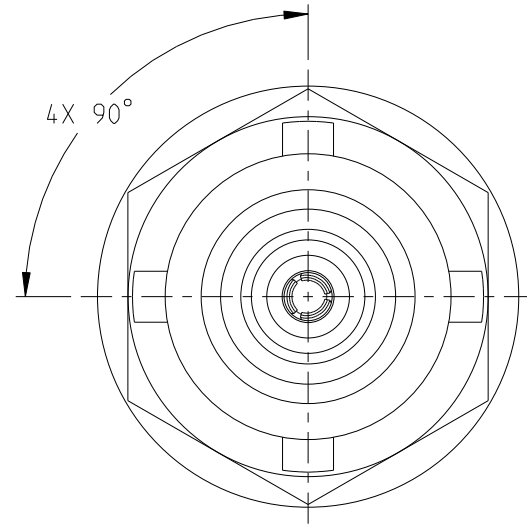
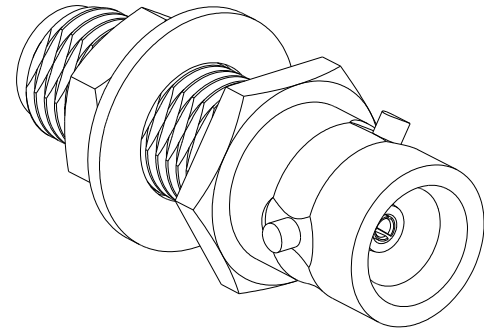
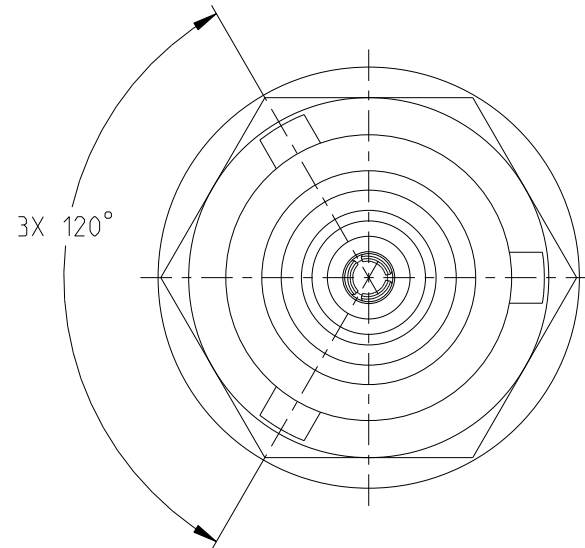


MODEL NUMBER	DESCRIPTION
ADT-3373-ZF-SMF-02	3 LUG
ADT-3473-ZF-SMF-02	4 LUG

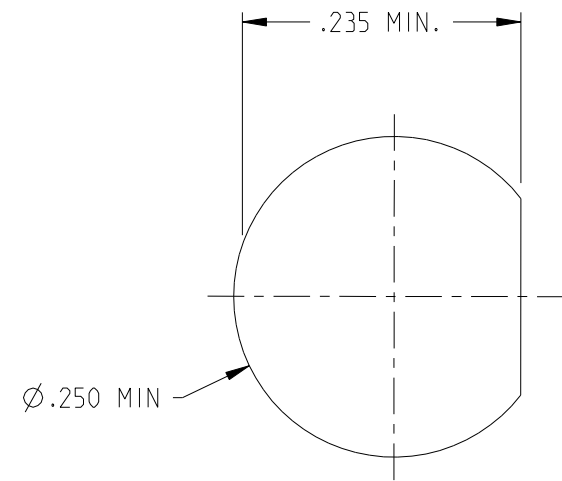
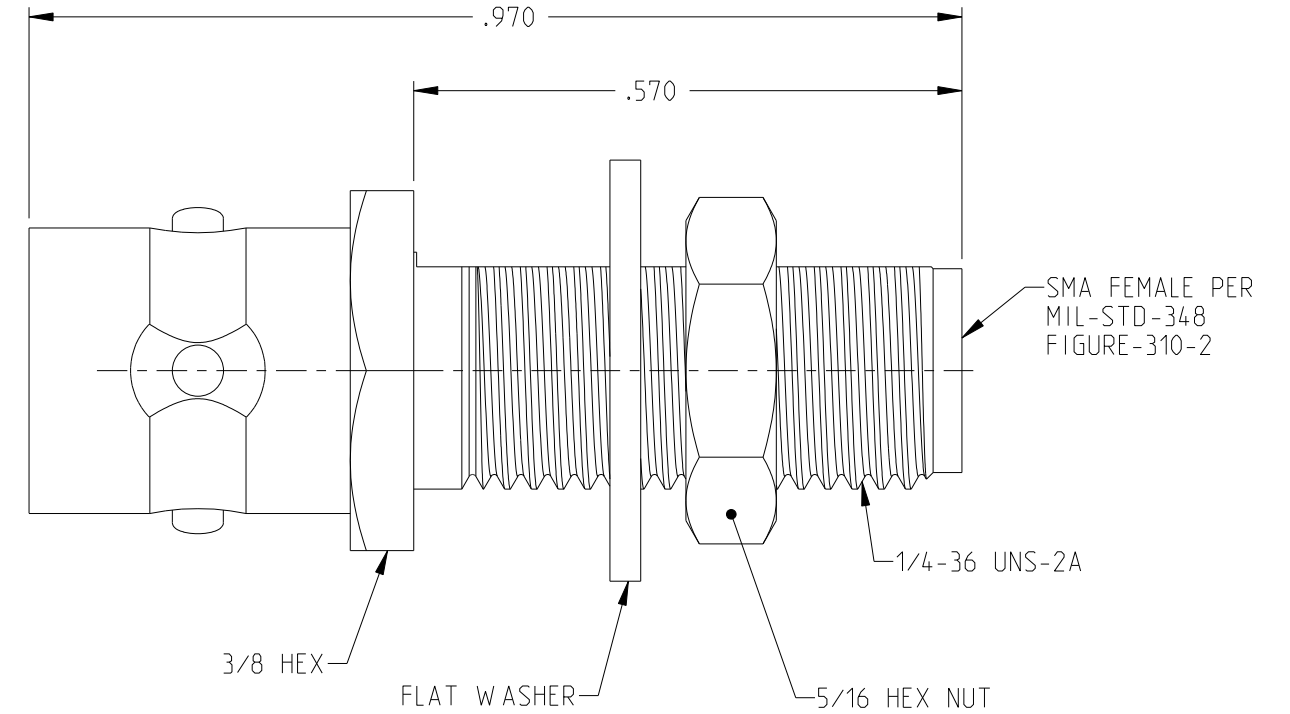
REV	ECO	DATE
001	58880	12/14/2023



ADT-3473-ZF-SMF-02 SHOWN



ADT-3373-ZF-SMF-02 SHOWN



RECOMMENDED MOUNTING HOLE

NOTES: UNLESS OTHERWISE SPECIFIED.

1. MATERIAL & FINISH:
 - 1.1 BODY: PASSIVATED STAINLESS STEEL
 - 1.2 CENTER CONTACT: GOLD PLATED BERYLLIUM COPPER
 - 1.3 INSULATOR: PTFE (TEFLON)
 - 1.4 NUT & WASHER: GOLD PLATED BRASS
2. ELECTRICAL SPECIFICATIONS:
 - 2.1 IMPEDANCE: 50 OHMS
 - 2.2 FREQUENCY RANGE: DC-18 GHz
 - 2.3 VSWR: 1.2 MAX.
 - 2.4 INSERTION LOSS: 0.10 dB MAX

<p>NOTICE: The information in this drawing is PROPRIETARY and must not be used without the permission of Cinch Connectivity Solutions. It may contain data whose export is restricted. Verify status prior to exporting.</p> <p>INTERPRET DRAWING IN ACCORDANCE WITH ASME Y14.5-2018</p>	Model No:	ADT-3X73-ZF-SMF-02	MIDWEST MICROWAVE	
	RoHS2	2015/B63/EU	Cage Code	34078
	UNLESS OTHERWISE SPECIFIED UNITS: INCH		ENGINEER:	P. KLYVE
	ANGLES ±2°		Date:	4/4/2022
Title:		ZMA FEMALE TO SMA FEMALE ADAPTER		REV.
Drawing No.		ADT-3X73-ZF-SMF-02-01		001
Size	B	DO NOT SCALE DRAWING	Workmanship Std. QAD-37012	Sheet 1 OF 1