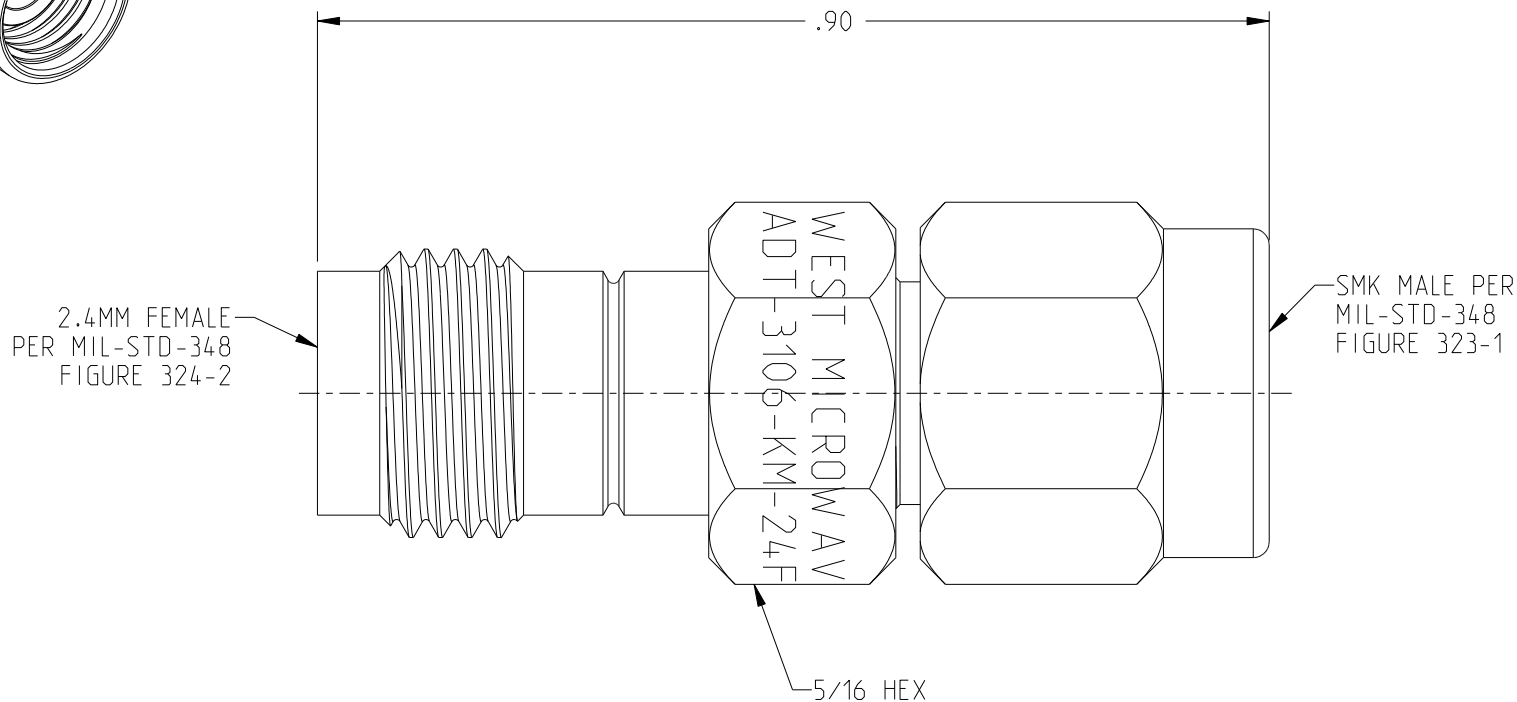
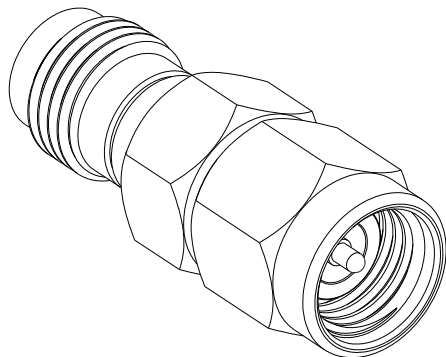


REV	ECO	DATE
001	59001	3/18/2024



NOTES: UNLESS OTHERWISE SPECIFIED.

1. MATERIAL & FINISH:

- 1.1 HOUSING & NUT: PASSIVATED STAINLESS STEEL
- 1.2 SUPPORT BEAD: ULTEM 1000
- 1.3 CENTER CONTACT: GOLD PLATED BERYLLIUM COPPER

2. ELECTRICAL SPECIFICATIONS:

- 2.1 FREQUENCY RANGE: DC TO 40 GHz
- 2.2 IMPEDANCE: 50 OHMS NOMINAL
- 2.3 VSWR (MAX)
 - 2.3.1 DC TO 26.5 GHz: 1.10:1
 - 2.3.2 26.5 TO 40 GHz: 1.15:1
- 2.4 OPERATING TEMP RANGE: -65°C TO +125°C

<p>NOTICE: The information in this drawing is PROPRIETARY and must not be used without the permission of Cinch Connectivity Solutions. It may contain data whose export is restricted. Verify status prior to exporting.</p> <p>INTERPRET DRAWING IN ACCORDANCE WITH ASME Y14.5-2018</p>	Model No:	ADT-3106-KM-24F-02	MIDWEST MICROWAVE		
	RoHS2 <input checked="" type="checkbox"/>	Cage Code	34078	Title:	
	2011/65/EU	3RD ANGLE PROJECTION	ADAPTER, 2.4MM FEMALE TO 2.92MM (SMK) MALE		
	UNLESS OTHERWISE SPECIFIED UNITS: INCH	ENGINEER:	R. BRENDAL	Drawing No.	REV.
	Date:	4/1/2024	ADT-3106-KM-24F-02-01	001	
	Size	A	DO NOT SCALE DRAWING	Workmanship Std:	Sheet 1 OF 1