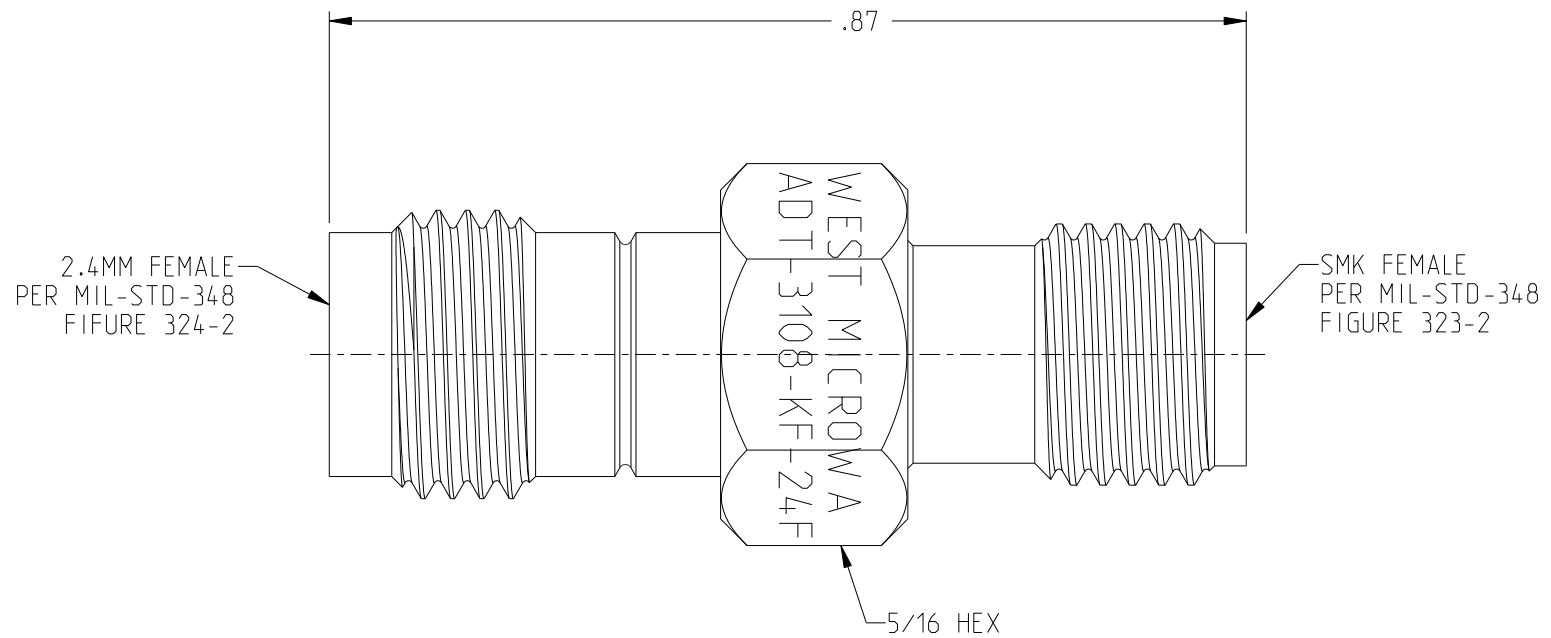


REV	ECO	DATE
001	59003	3/18/2024



NOTES: UNLESS OTHERWISE SPECIFIED.

1. MATERIAL & FINISH:

- 1.1 HOUSING & NUT: PASSIVATED STAINLESS STEEL
- 1.2 SUPPORT BEAD: ULTEM 1000
- 1.3 CENTER CONTACT: GOLD PLATED BERYLLIUM COPPER

2. ELECTRICAL SPECIFICATIONS:

- 2.1 FREQUENCY RANGE: DC TO 40 GHz
- 2.2 IMPEDANCE: 50 OHMS NOMINAL
- 2.3 VSWR (MAX)
 - 2.3.1 DC TO 26.5 GHz: 1.10:1
 - 2.3.2 26.5 TO 40 GHz: 1.15:1
- 2.4 OPERATING TEMP RANGE: -65°C TO +125°C

<p>NOTICE: The information in this drawing is PROPRIETARY and must not be used without the permission of Cinch Connectivity Solutions. It may contain data whose export is restricted. Verify status prior to exporting.</p> <p>INTERPRET DRAWING IN ACCORDANCE WITH ASME Y14.5-2018</p>	Model No:	ADT-3108-KF-24F-02	MIDWEST MICROWAVE			
	RoHS2 <input checked="" type="checkbox"/>	Cage Code	34078	Title:	ADAPTER, 2.4MM FEMALE TO 2.92MM (SMK) FEMALE	
	2011/65/EU	3RD ANGLE PROJECTION	ENGINEER:	R. BRENDAL	Drawing No.	ADT-3108-KF-24F-02-01
	UNLESS OTHERWISE SPECIFIED UNITS: INCH	DATE:	4/2/2024	Size	A	DO NOT SCALE DRAWING
				Workmanship Std:	Sheet 1 OF 1	
					REV. 001	