

5

4

3

2

1

受控 CONTROLLED DOCUMENT					
编号 P/N	26-8020-CUST	版本 Rev	01	日期 Rel'd Date	SEP 17,09

DRAWING NO.  
26-8020

REVISIONS					
01	OFFICIAL RELEASE				
	08-05-09	I	W	T	H

D

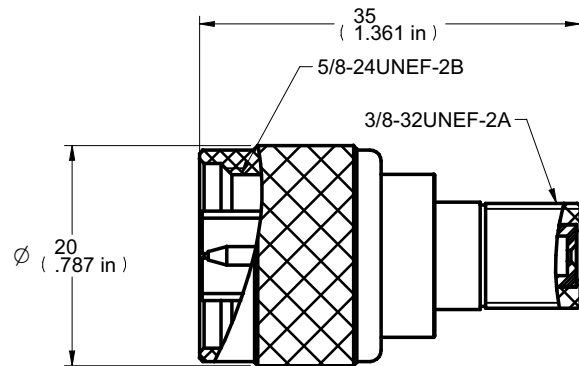


Description: CPAD811 N(M)-F(F) Adapter  
 Part No: 26-8020  
 Application: Adapter  
 Crimp Tool: N/A  
 Impedance: N/A  
 Frequency Range: N/A  
 Material: Body Zinc Nickel Plated  
 Nut Zinc Nickel Plated  
 Insulator PTFE  
 Contact Brass Gold Plated

RoHS Compliance: Yes  
 Technical Detail: N End Refer to Emerson Document P/N 26-0000  
 F End Refer to Emerson Document P/N 25-0000

C

B



**DIM OUTLINE**

A

**CUSTOMER COPY**

TOLERANCE UNLESS OTHERWISE SPECIFIED		DRAWN BY IVON.W	DATE 08-05-09
DECIMALS	mm	CHECKED BY IVON.W	DATE 08-05-09
X	± 0.5	APPROVED BY THOMAS	DATE 08-05-09
X.X	± 0.3	U/M	mm
X.XX	± 0.1		
ANGLES	± 0.5°		



TITLE  
CPAD811 N(M)-F(F) ADAPTER

SHEET 1 OF 1	DRAWING NO. 26-8020	SIZE A
-----------------	------------------------	-----------

THIS DRAWING WAS PRODUCED BY COMPUTER,  
DO NOT SCALE DRAWING OR UPDATE MANUALLY.

5

4

2

1