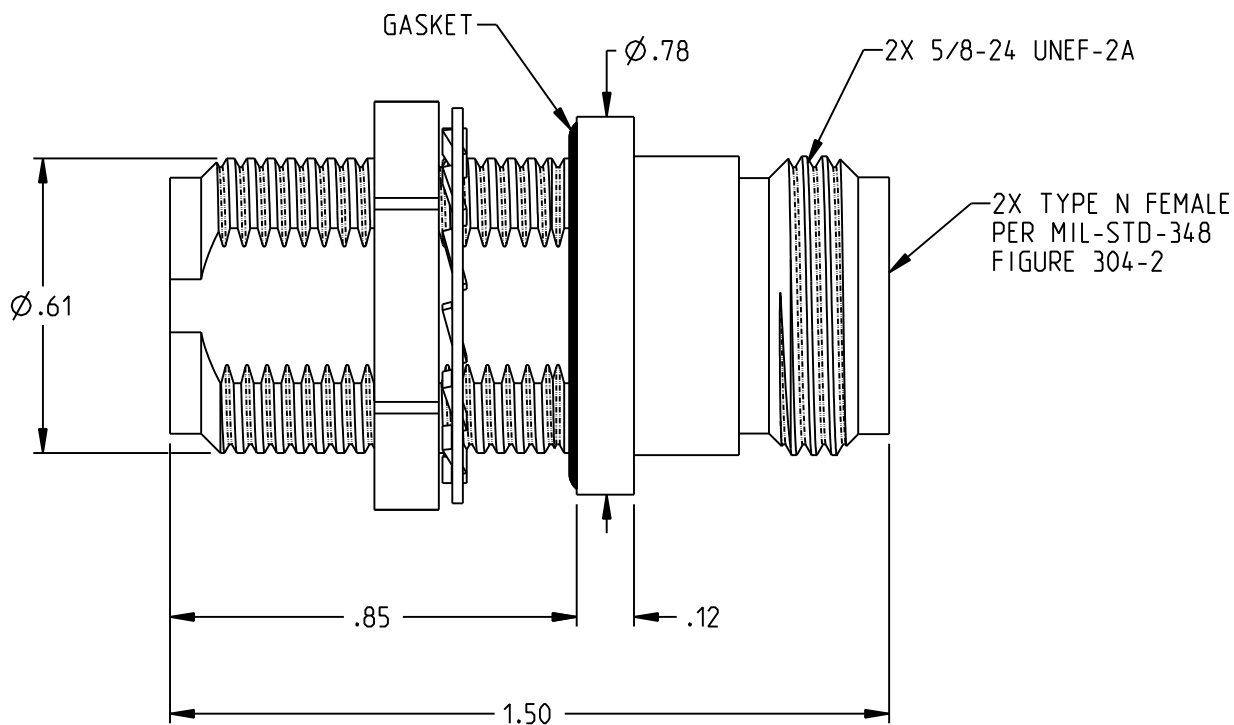
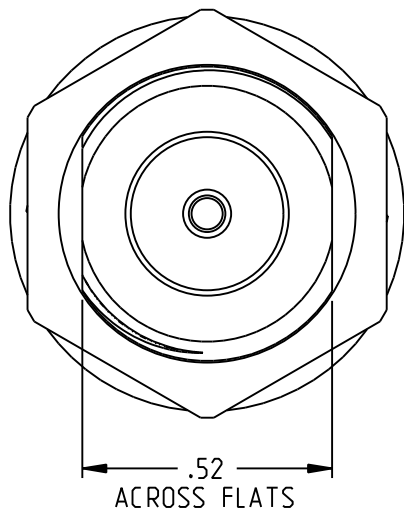
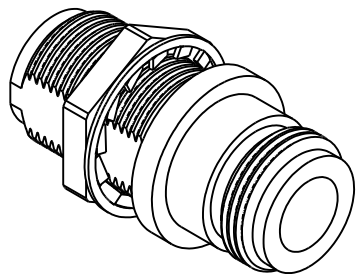


REV	ECO	DATE
001	59210	08/12/2024



NOTES: UNLESS OTHERWISE SPECIFIED

1. MATERIALS & FINISH:

- 1.1 BODY: NICKEL PLATED BRASS
- 1.2 CENTER CONTACT: GOLD PLATED BERYLLIUM COPPER
- 1.3 INSULATOR: TEFLON (PTFE)
- 1.4 GASKET: SILICONE RUBBER

2. ELECTRICAL SPECIFICATIONS:

- 2.1 FREQUENCY RANGE: DC-18 GHz
- 2.2 IMPEDANCE: 50 OHMS NOMINAL
- 2.3 VSWR (MAX): 1.25:1
- 2.4 OPERATING TEMPERATURE: -65°C TO 125°C

3. ALL DIMENSIONS ARE FOR REFERENCE ONLY

<p>NOTICE: The information in this drawing is PROPRIETARY and must not be used without the permission of Cinch Connectivity Solutions. It may contain data whose export is restricted. Verify status prior to exporting.</p> <p>INTERPRET DRAWING IN ACCORDANCE WITH ASME Y14.5-2018</p>	Model No:	CGM-1180-FB-NNN-10	MIDWEST MICROWAVE	
	RoHS2	2015/863/EU	Cage Code	34078
	UNLESS OTHERWISE SPECIFIED UNITS: INCH	3RD ANGLE PROJECTION	ENGINEER:	A. PETERS
	3	Date:	08/12/2024	Title:
			Drawing No.	CGM-1180-FB-NNN-10-01
			REV.	001
			Size	A
			DO NOT SCALE DRAWING	Workmanship Std:
			Sheet	1 OF 1