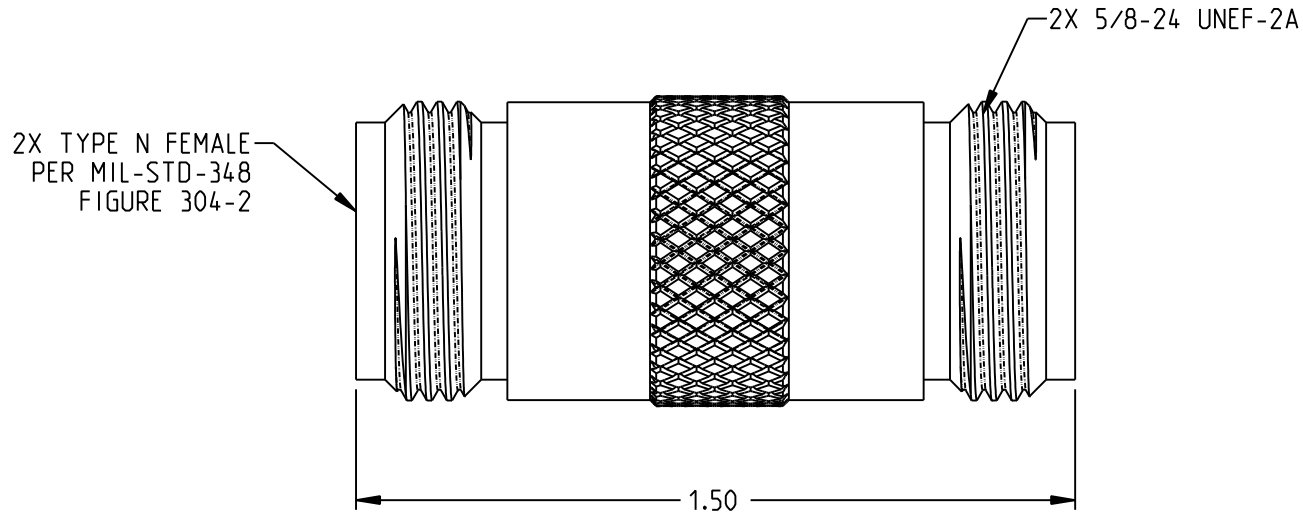
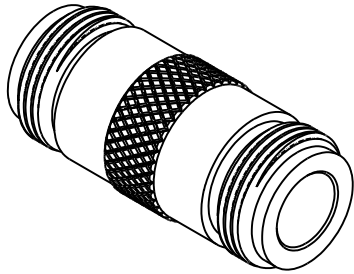


REV	ECO	DATE
001	59209	08/12/2024



NOTES: UNLESS OTHERWISE SPECIFIED

1. MATERIALS & FINISH:
 - 1.1 BODY: NICKEL PLATED BRASS
 - 1.2 CENTER CONTACT: GOLD PLATED BERYLLIUM COPPER
 - 1.3 INSULATOR: TEFLON (PTFE)
2. ELECTRICAL SPECIFICATIONS:
 - 2.1 FREQUENCY RANGE: DC-18 GHz
 - 2.2 IMPEDANCE: 50 OHMS NOMINAL
 - 2.3 VSWR (MAX): 1.25:1
 - 2.4 OPERATING TEMPERATURE: -65°C TO 125°C

3. ALL DIMENSIONS ARE FOR REFERENCE ONLY

 <small>NOTICE: The information in this drawing is PROPRIETARY and must not be used without the permission of Cinch Connectivity Solutions. It may contain data whose export is restricted. Verify status prior to exporting.</small> <small>INTERPRET DRAWING IN ACCORDANCE WITH ASME Y14.5-2018</small>	Model No:	CGM-1180-FF-NNN-10		MIDWEST MICROWAVE		
	RoHS2 <input checked="" type="checkbox"/> 2015/863/EU	Cage Code	34078	Title: TYPE N FEMALE TO FEMALE ADAPTOR		
	UNLESS OTHERWISE SPECIFIED UNITS: INCH	3RD ANGLE PROJECTION	ENGINEER:	A. PETERS	Drawing No.	CGM-1180-FF-NNN-10-01
	3	Date:	08/12/2024	Size	A	DO NOT SCALE DRAWING
			Workmanship Std:		Sheet 1 OF 1	