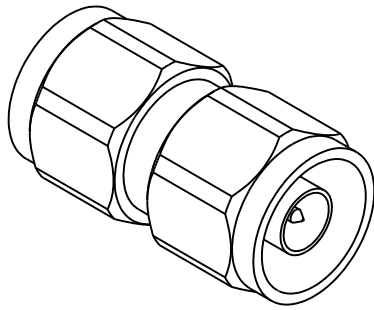
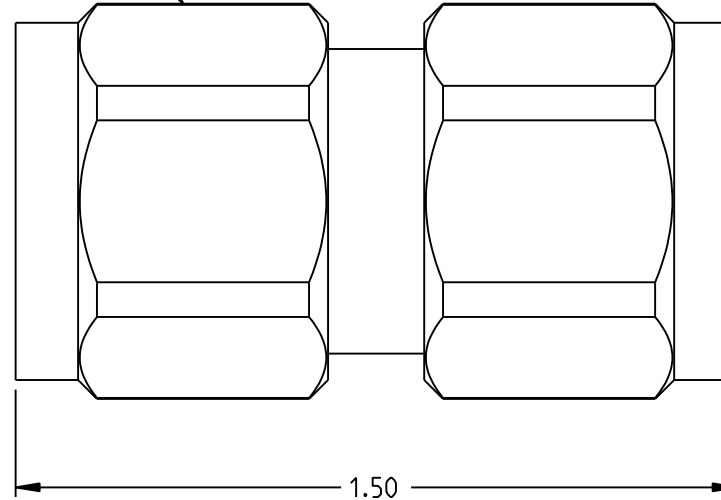


REV	ECO	DATE
001	59208	08/12/2024



2X 3/4 HEX



2X TYPE N MALE  
PER MIL-STD-348  
FIGURE 304-1

NOTES: UNLESS OTHERWISE SPECIFIED

1. MATERIALS & FINISH:

- 1.1 BODY: NICKEL PLATED BRASS
- 1.2 CENTER CONTACT: GOLD PLATED BRASS
- 1.3 INSULATOR: PTFE (TEFLON)
- 1.4 GASKET: SILICONE RUBBER

2. ELECTRICAL SPECIFICATIONS:

- 2.1 FREQUENCY RANGE: DC - 18 GHz
- 2.2 IMPEDANCE: 50 OHMS NOMINAL
- 2.3 VSWR (MAX): 1.25:1
- 2.4 OPERATING TEMPERATURE: -65°C TO 125°C

3. ALL DIMENSIONS ARE FOR REFERENCE ONLY

<p>NOTICE: The information in this drawing is PROPRIETARY and must not be used without the permission of Cinch Connectivity Solutions. It may contain data whose export is restricted. Verify status prior to exporting.</p> <p>INTERPRET DRAWING IN ACCORDANCE WITH ASME Y14.5-2018</p>	Model No:	CGM-1180-MM-NNN-10		MIDWEST MICROWAVE	
	RoHS2 <input checked="" type="checkbox"/>	Cage Code	34078	Title: TYPE N MALE TO MALE ADAPTOR	
	2015/863/EU	3RD ANGLE PROJECTION	Drawing No.		REV.
	UNLESS OTHERWISE SPECIFIED UNITS: INCH	ENGINEER:	CGM-11800-MM-NNN-10-01		001
3	Date:	08/12/2024	Size	A	DO NOT SCALE DRAWING
	Workmanship Std:		Sheet	1 OF 1	