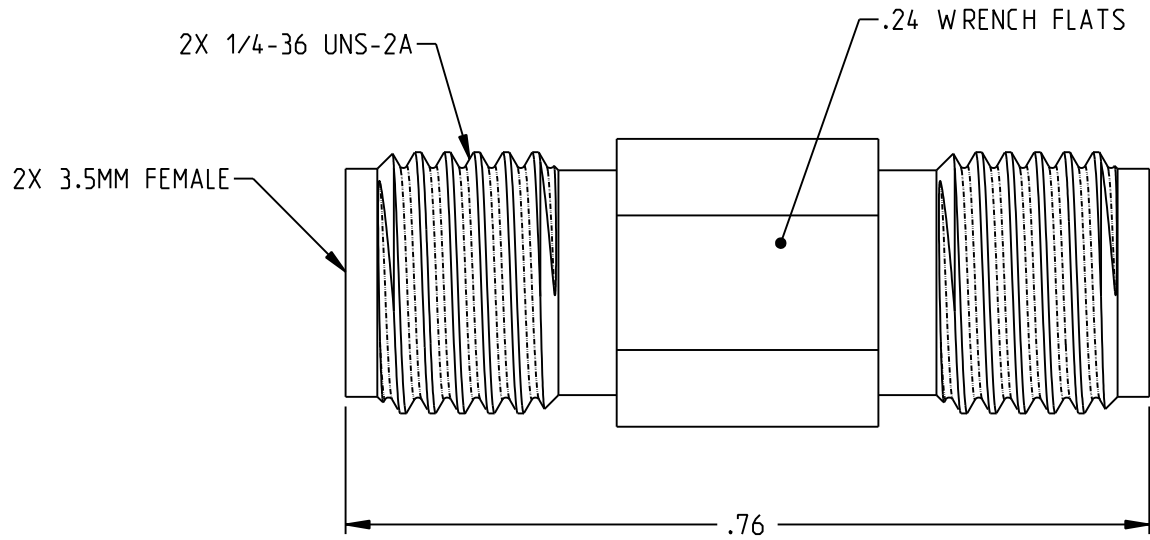
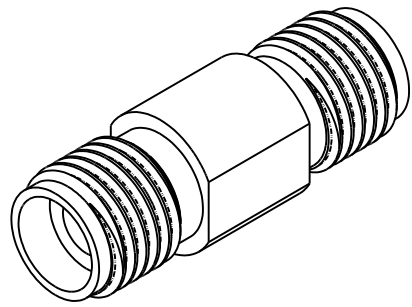


REV	ECO	DATE
001	59206	08/12/2024



NOTES: UNLESS OTHERWISE SPECIFIED

1. MATERIALS & FINISH:
 - 1.1 BODY: PASSIVATED STAINLESS STEEL
 - 1.2 CENTER CONTACT: GOLD PLATED BERYLLIUM COPPER
 - 1.3 INSULATOR: ULTEM
2. SPECIFICATIONS:
 - 2.1 FREQUENCY RANGE: DC-26.5 GHz
 - 2.2 IMPEDANCE: 50 OHMS NOMINAL
 - 2.3 VSWR (MAX): 1.15:1
 - 2.4 OPERATING TEMPERATURE: -65°C TO 125°C

3. ALL DIMENSIONS ARE FOR REFERENCE ONLY

<p>NOTICE: The information in this drawing is PROPRIETARY and must not be used without the permission of Cinch Connectivity Solutions. It may contain data whose export is restricted. Verify status prior to exporting.</p> <p>INTERPRET DRAWING IN ACCORDANCE WITH ASME Y14.5-2018</p>	Model No:	CGM-1260-FF-35M-02		MIDWEST MICROWAVE	
	RoHS2 <input checked="" type="checkbox"/> 2015/063/EU	Cage Code	34078	Title: 3.5MM FEMALE TO FEMALE ADAPTOR	
	UNLESS OTHERWISE SPECIFIED UNITS: INCH	3RD ANGLE PROJECTION	ENGINEER:	Drawing No.	REV.
	3	A. PETERS	CGM-1260-FF-35M-02-01	001	
	Date:	08/12/2024	Size	A	DO NOT SCALE DRAWING
	Workmanship Std:		Sheet	1	OF 1