

NOTES:

1.0 MATERIALS:

- 1.1 HOUSING: STAINLESS STEEL PER ASTM-A582, TYPE 303.
- 1.2 CENTER CONTACT: BERYLLIUM COPPER ROD ALLOY C172, PER ASTM-B196.

2.0 PLATING:

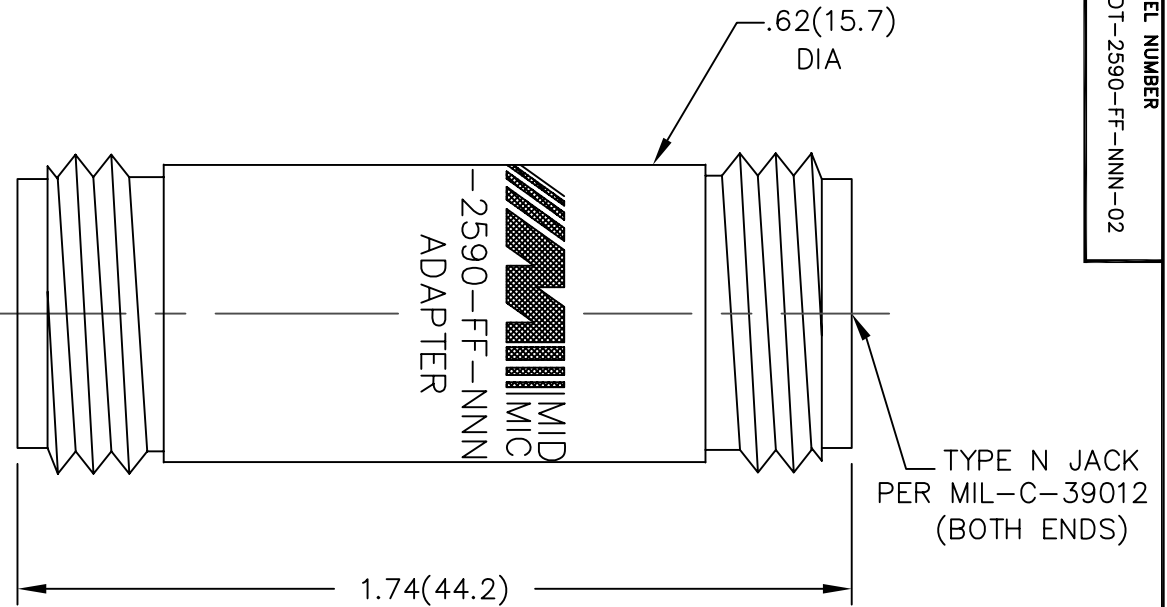
- 2.1 HOUSING: PASSIVATED PER MIL-F-14072 AND QQ-P-35
- 2.2 CENTER CONTACT: GOLD PER MIL-G-45204, TYPE II, CLASS 2.

3.0 ELECTRICAL SPECIFICATIONS:

- 3.1 FREQUENCY RANGE: DC to 18.0 GHz
- 3.2 VSWR (MAX):
  - DC to 4.0 GHz: 1.04:1
  - 4.0 to 8.0 GHz: 1.06:1
  - 8.0 to 18.0 GHz: 1.10:1
- 3.3 IMPEDANCE: 50 OHMS

4.0 MARKING: MARK UNIT AS SHOWN (REF.: INK-02669-27-15)

5.0 DIMENSIONS IN PARENTHESIS ARE IN MILLIMETERS.



MODEL NUMBER  
ADT-2590-FF-NNN-02

DWG NO. WAS: 02412-01-00

REV.	DESCRIPTION	DATE
-	RELEASED	8/9/78
A	ECR 6545	6/29/89
B	ECN 10783	7/16/91
C	REDRAW ON CAD	11/30/92

<p>NOTICE: The information contained in this drawing is proprietary and must not be used without the permission of Emerson Network Power.</p> <p>UNLESS OTHERWISE NOTED DIMENSIONS ARE IN INCHES AND TOLERANCES ARE:                      3 PLACE DECIMALS ±.005                      2 PLACE DECIMALS ±.02                      FRACTIONS ±1/64                      PARALLELITY: T.I.R. _____                      FLATNESS: T.I.R. _____                      CONCENTRICITY: T.I.R. _____                      ANGLES AND PERPENDICULARITY: ±1'</p>	CAGE CODE <b>34078</b>		<b>MIDWEST MICROWAVE</b>		
	<p><b>EMERSON</b> Network Power</p> <p>Connectivity Solutions</p>		TITLE  ADAPTER N JACK/N JACK OUTLINE DRAWING		
	<p>DRAWN/DATE A.BEATTY 11/30/92</p>	<p>ENG./DATE A.OSGA 12/4/92</p>	DRAWING NUMBER ADT-2590-FF-NNN-02-01		REV. C
	<p>CHECKED/DATE M.HOLLMANN 12/3/92</p>	<p>APPROVED/DATE</p>	SCALE: 5=1	SHEET 1 of 1	