

MODEL NUMBER  
ADT-2676-7M-SMF-02

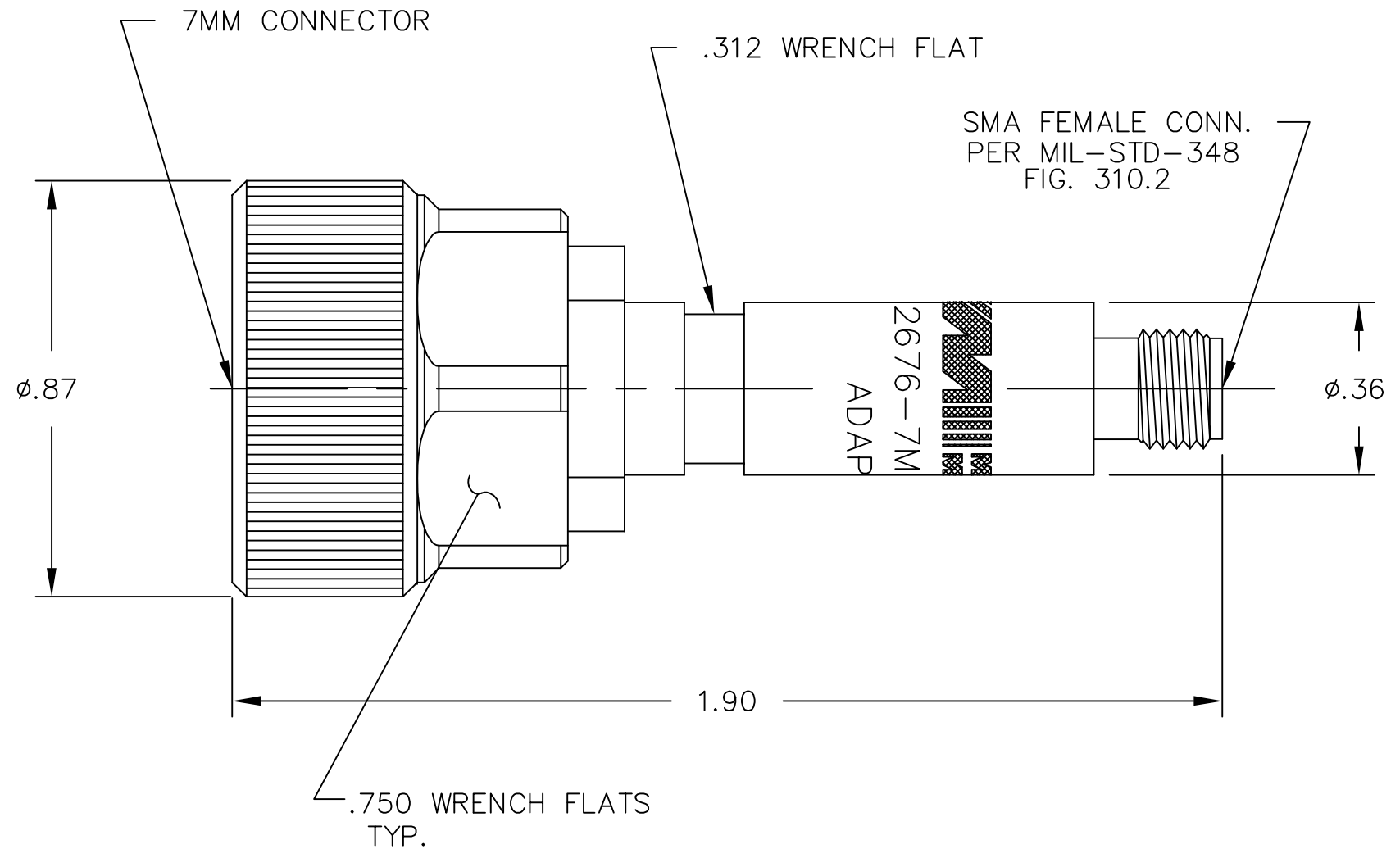
NOTES:

1.0 SPECIFICATIONS:

- 1.1 FREQUENCY RANGE: DC to 18.0 GHz
- 1.2 IMPEDANCE: 50 OHMS
- 1.3 VSWR: (MAX.) 1.025 + .0025f (GHz)

2.0 MARKING:

- 2.1 MARK UNIT AS SHOWN



DWG. # WAS: 03766-01-00

<p>NOTICE: The information contained in this drawing is proprietary and must not be used without the permission of Emerson Network Power.</p> <p>UNLESS OTHERWISE NOTED DIMENSIONS ARE IN INCHES AND TOLERANCES ARE: 3 PLACE DECIMALS ±.005 2 PLACE DECIMALS ±.02 FRACTIONS ±1/64 PARALLELITY: T.I.R. _____ FLATNESS: T.I.R. _____ CONCENTRICITY: T.I.R. _____ ANGLES AND PERPENDICULARITY: ±1'</p>	<p>CAGE CODE <b>34078</b></p>	<p><b>MIDWEST MICROWAVE</b></p>	
	<p><b>EMERSON</b> Network Power Connectivity Solutions</p>		<p>TITLE ADAPTER 7MM TO SMA JACK OUTLINE DRAWING</p>
<p>DRAWN/DATE J.VERNON 7/27/81</p>	<p>ENG./DATE H.JACQUES 8/4/81</p>	<p>DRAWING NUMBER ADT-2676-7M-SMF-02-01</p>	<p>REV. F1</p>
<p>CHECKED/DATE</p>	<p>APPROVED/DATE</p>	<p>SCALE: 5=1</p>	<p>SHEET 1 of 1</p>

REV.	DESCRIPTION	DATE
-	RELEASED	8/4/81
A	ECR 1326	10/29/81
B	ECR 5487	9/2/87
C	ECR 6545	7/8/89
D	ECN 11152	12/4/96
E	ECN 15637	12/4/96
E1	ADDED TITLEBLOCK	3/15/05
F1	ECO 23287	2/16/11