

NOTES:

1.0 MATERIALS:

- 1.1 HOUSING & NUT: STAINLESS STEEL PER ASTM-A582, TYPE 303.
- 1.2 CENTER CONTACT: BERYLLIUM COPPER ROD ALLOY C172, PER ASTM-B196.
- 1.3 DIELECTRIC: PTFE FLUOROCARBON PER ASTM-D1457.

2.0 PLATING:

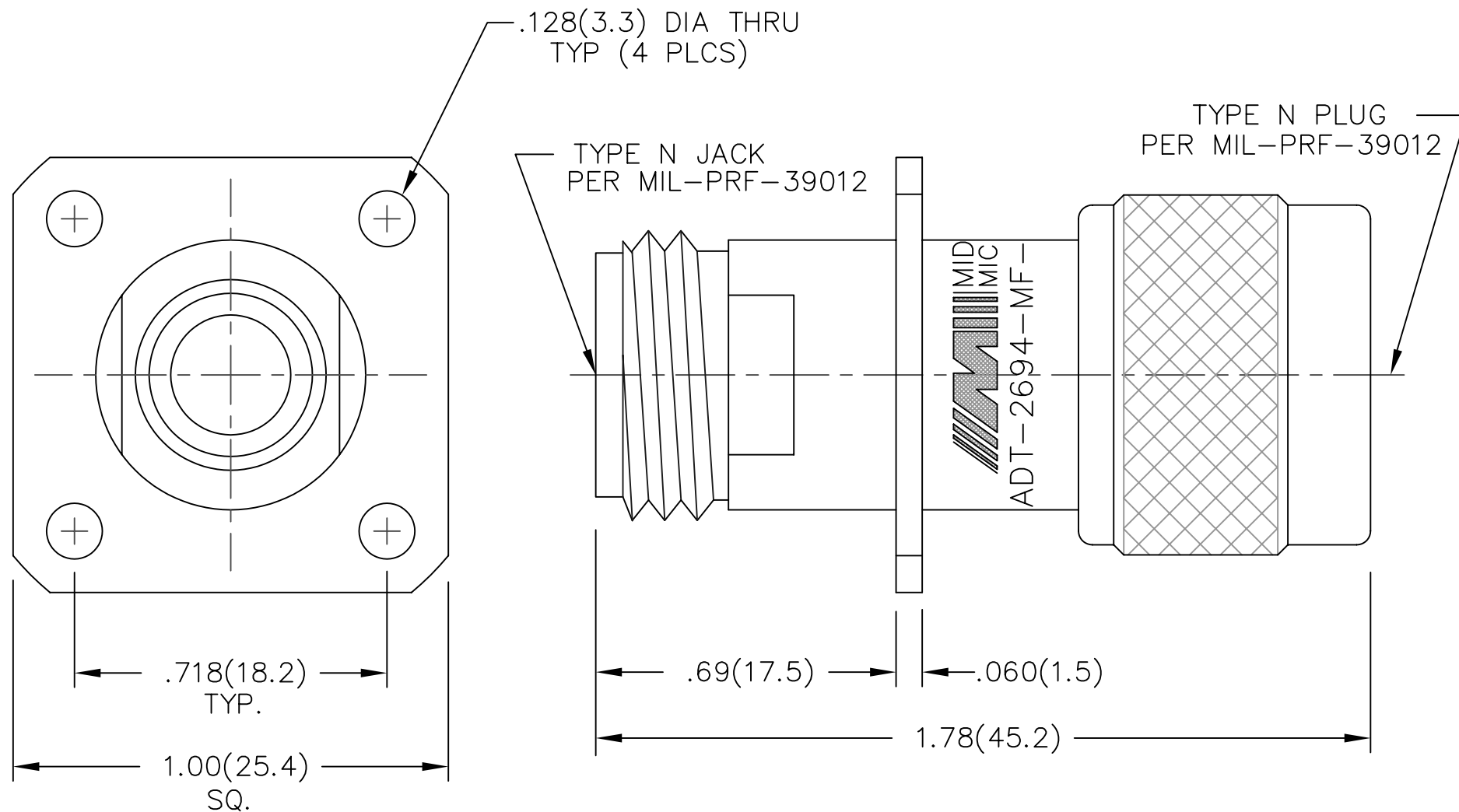
- 2.1 HOUSING & NUT: PASSIVATED PER MIL-F-14072 & QQ-P-35.
- 2.2 CENTER CONTACT: GOLD PER MIL-G-45204, TYPE II, CLASS 2.

3.0 ELECTRICAL SPECIFICATIONS:

- 3.1 FREQUENCY RANGE: DC to 18.0 GHz
- 3.2 VSWR (MAX.):
  - DC to 4.0 GHz: 1.05:1
  - 4.0 to 8.0 GHz: 1.06:1
  - 8.0 to 18.0 GHz: 1.10:1
- 3.3 IMPEDANCE: 50 OHMS

4.0 MARKING: MARK UNIT AS SHOWN

5.0 DIMENSIONS IN PARENTHESIS ARE IN MILLIMETERS.



8/22/00	1/5/11
RELEASED	ECO 23179
-	A

NOTICE: The information contained in this drawing is proprietary and must not be used without the permission of Emerson Network Power.	CAGE CODE <b>34078</b>	<b>MIDWEST MICROWAVE</b>	
	<b>EMERSON</b> Network Power Connectivity Solutions		TITLE ADAPTER - TYPE N JACK/PLUG OUTLINE DRAWING
UNLESS OTHERWISE NOTED DIMENSIONS ARE IN INCHES AND TOLERANCES ARE: 3 PLACE DECIMALS ±.005 2 PLACE DECIMALS ±.02 FRACTIONS ±1/64 PARALLELITY: T.I.R. _____ FLATNESS: T.I.R. _____ CONCENTRICITY: T.I.R. _____ ANGLES AND PERPENDICULARITY: ±1°	DRAWN/DATE M.STAFFORD 5/2/00	ENG./DATE G.KOZAK 8/22/00	DRAWING NUMBER ADT-2694-MF-NNN-02-01
	CHECKED/DATE	APPROVED/DATE	REV. A
SCALE: 5=1		SHEET 1 of 1	