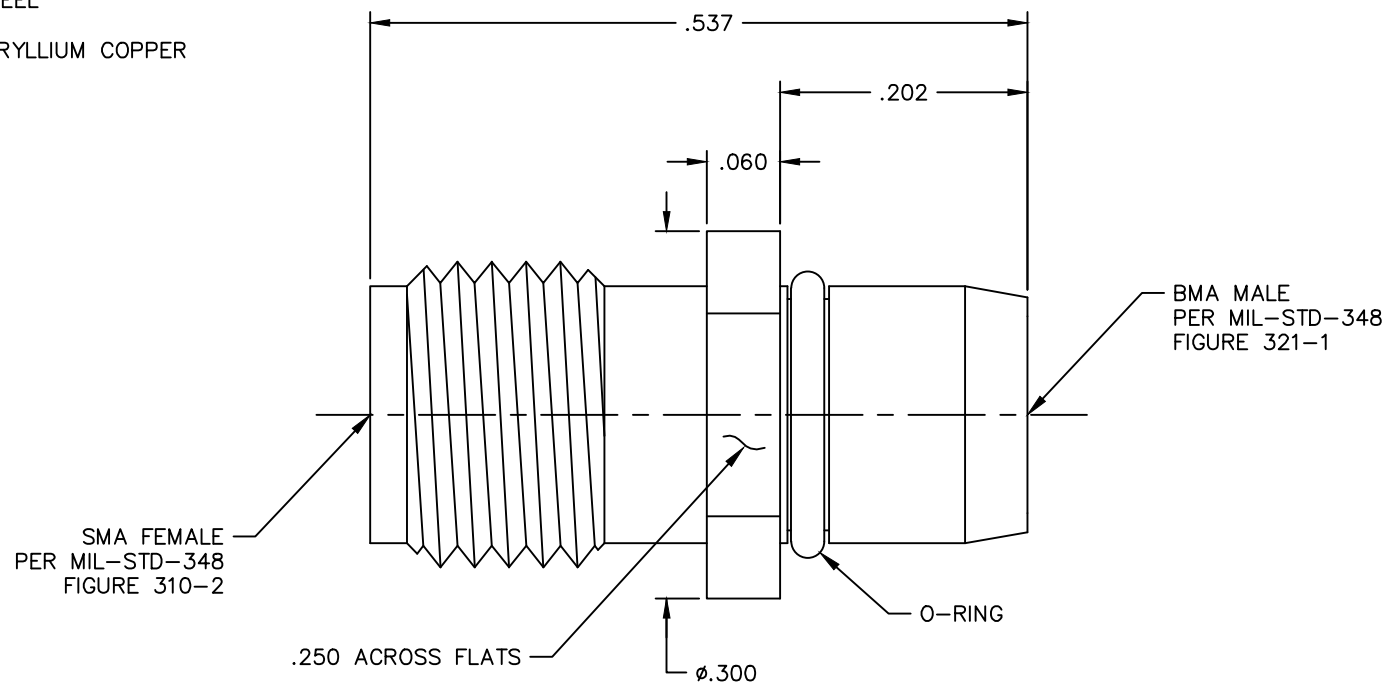


NOTES:

1. MATERIAL & FINISH:
  - 1.1 HOUSING: PASSIVATED STAINLESS STEEL
  - 1.2 DIELECTRIC: PTFE (TEFLON)
  - 1.3 CENTER CONTACT: GOLD PLATED BERYLLIUM COPPER
  - 1.4 O-RING: NITRILE RUBBER
2. ELECTRICAL:
  - 2.1 FREQUENCY RANGE: DC-18 GHz
  - 2.2 VSWR (MAX):
    - DC-9 GHz: 1.15:1
    - 9-18 GHz: 1.30:1
  - 2.3 IMPEDANCE: 50 OHMS NOMINAL



REV.	DESCRIPTION	DATE
-	RELEASED	2/5/91
A	ECN 17699	11/3/00
B	ECN 20049	8/24/04
C	ECO 25961	9/14/18

<p>NOTICE: The information contained in this drawing is proprietary and must not be used without the permission of Cinch Connectivity Solutions.</p> <p>UNLESS OTHERWISE NOTED DIMENSIONS ARE IN INCHES AND TOLERANCES ARE:                      3 PLACE DECIMALS ±.005                      2 PLACE DECIMALS ±.02                      FRACTIONS ±1/64                      PARALLELITY: T.I.R. _____                      FLATNESS: T.I.R. _____                      CONCENTRICITY: T.I.R. _____                      ANGLES AND PERPENDICULARITY: ±2'</p>	<p>CAGE CODE <b>34078</b></p>	<p><b>MIDWEST MICROWAVE</b></p>	
	<p>CONNECTIONITY SOLUTIONS a bel group</p>	<p>TITLE <b>SMA FEMALE TO BMA MALE ADAPTER</b></p>	
<p>DRAWN/DATE D.SIEWERT 1/29/91</p>	<p>ENG./DATE R.FAWSON 2/4/91</p>	<p>DRAWING NUMBER ADT-2769-SF-BMM-02-01</p>	<p>REV. C</p>
<p>CHECKED/DATE A.BEATTY 2/4/91</p>	<p>APPROVED/DATE T.GORDON 2/5/91</p>	<p>SCALE: 10:1</p>	<p>SHEET 1 of 1</p>