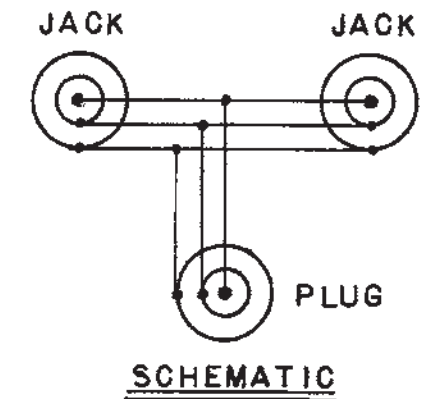
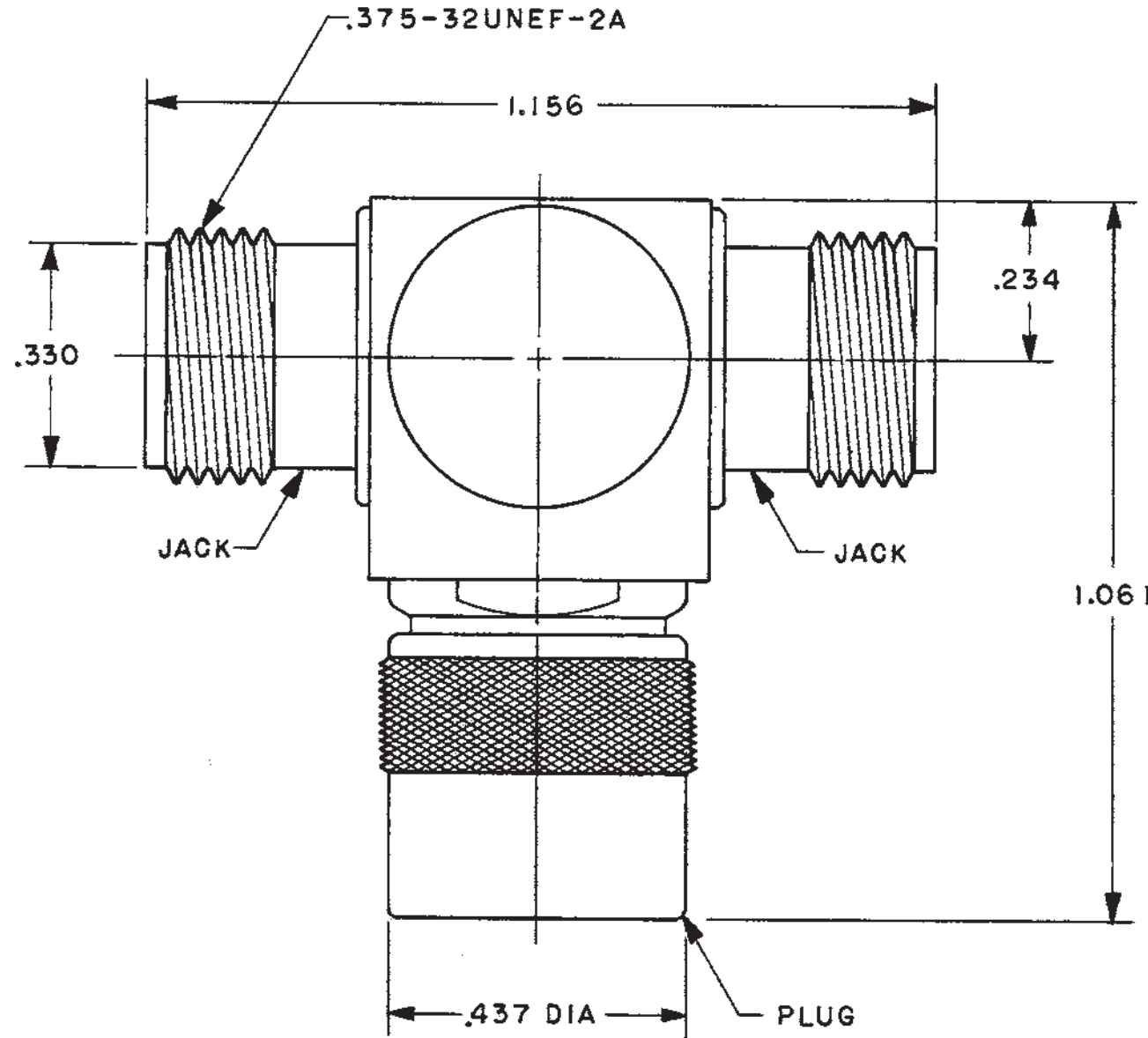
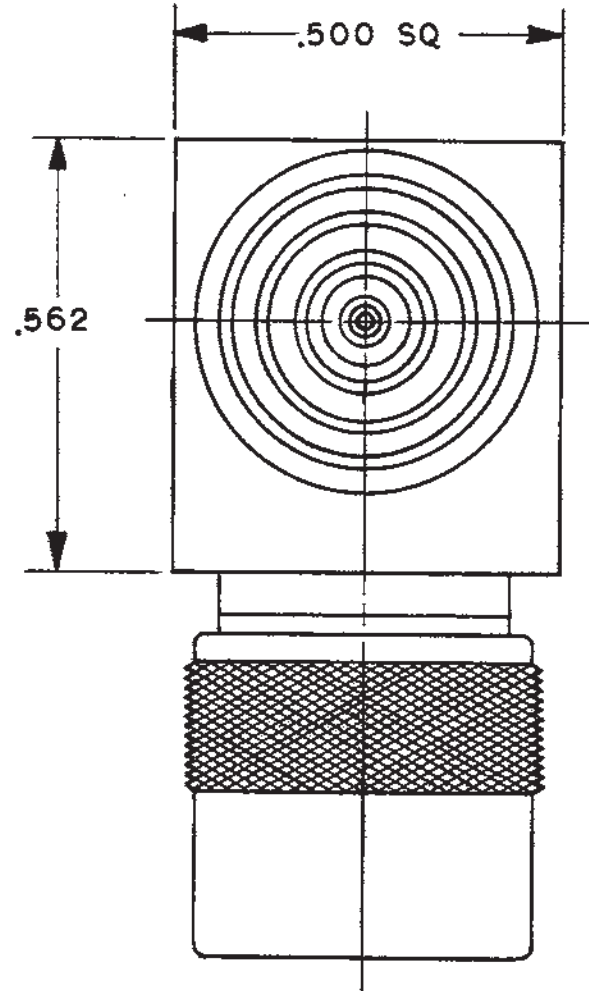


REVISIONS			3000-0048		SH 1
REV	EO	DESCRIPTION	DWN	APPROVED	DATE

INCH	MM
.234	5.94
.330	8.38
.437	11.10
.500	12.70
.562	14.27
1.061	26.95
1.156	29.36



3. CONCENTRIC SUBMINIATURE
TWINAX / TRIAX THREADED TEE

2. FINISH: TFS-1A (NICKEL)

1. ALL DIM ARE REF IN INCHES

QTY	DESCRIPTION	PART NUMBER	ITEM		
TOL UNLESS SPECIFIED .XX ± .XXX ± .XXXX ± ANGLES ±		TROMPETER RF connectivity <small>a cinch connectivity solutions brand</small>	BN3153		
DWN	TDM 11-19-80			MATERIAL	CODE IDENT
CHK	AD 11-20-80	—	14949	3000-0048	
ENGR					
NEXT ASSY	APPR	11-20-80	SCALE 4/1	DATE 11-21-80	SHEET 1 OF 2