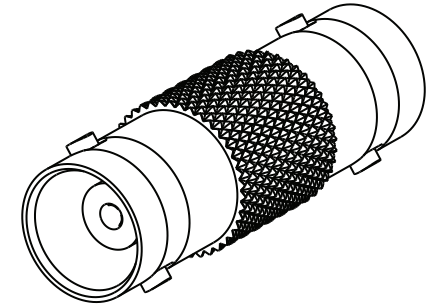


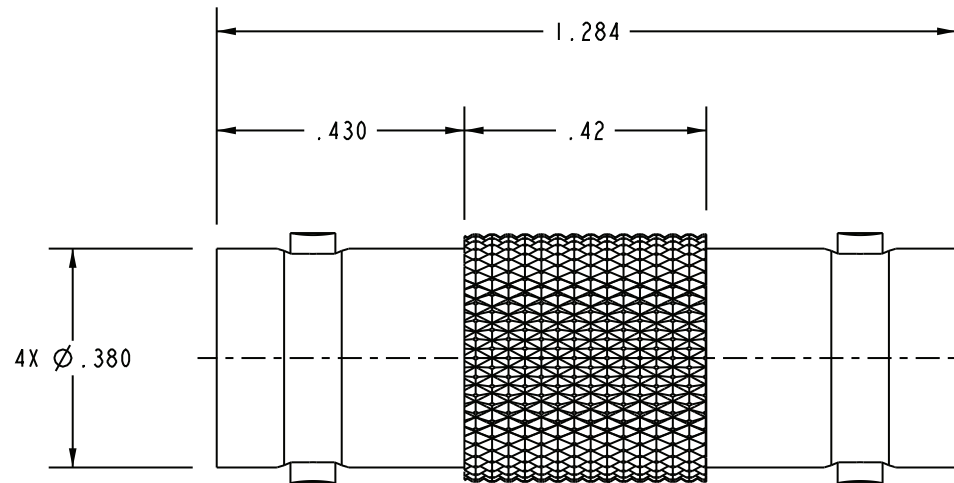
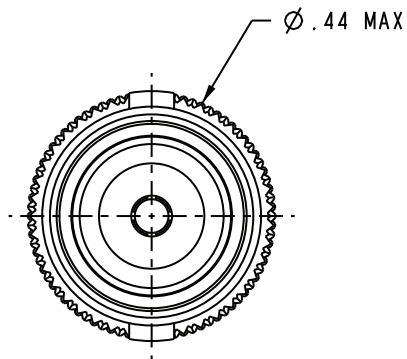
|              |          |
|--------------|----------|
| MODEL NUMBER | $\Omega$ |
| AD228        | 50       |
| UAD228       | 75       |

DATA CONTAINED IN THIS DOCUMENT IS PROPRIETARY TO EMERSON CONNECTIVITY SOLUTIONS AND SHALL NOT BE DISCLOSED, COPIED OR USED FOR PROCUREMENT OR MANUFACTURE WITHOUT EXPRESS WRITTEN PERMISSION

| REVISIONS |                       |         |          |
|-----------|-----------------------|---------|----------|
| REV       | DESCRIPTIONS          | DATE    | APPROVED |
| C         | REVISED PER ECO 16820 | 9/16/09 | LM       |



SCALE 2/1



2. WITHIN SERIES FEMALE BNC FEEDTHRU ADAPTER, 50 $\Omega$  AND 75 $\Omega$  VERSIONS

1. FINISH: TFS-1A (NICKEL)

NOTES: UNLESS OTHERWISE SPECIFIED.

INTERPRET DRAWING PER MIL-STD-100. DIMENSIONS ARE IN INCHES AND INCLUDE FINISH THICKNESS UNLESS OTHERWISE SPECIFIED.

TOL: UNLESS SPECIFIED.  
 .XX  $\pm$  .02  
 .XXX  $\pm$  .010  
 ANGLE  $\pm$  1°



Cinch Connectivity Solutions  
 299 Johnson Ave. Ste. 100  
 Waseca, MN 56093  
 1-800-247-8256

DRN W. JOHNSON 12/8/08

CHK LM 9/15/09

QUALITY

MANUF

APPROVED

PROJ TITLE NO. 1-0623

MATERIAL:

FINISH:

DO NOT SCALE DWG

SCALE 2/1

DATE 4/11/02

SHEET 1 OF 2

TITLE: U/AD228

SIZE A CAGE CODE 14949 DRAWING NO. 1-0623 REV. C

DATE 4/11/02

SHEET 1 OF 2

DATE 4/11/02

SHEET 1 OF 2