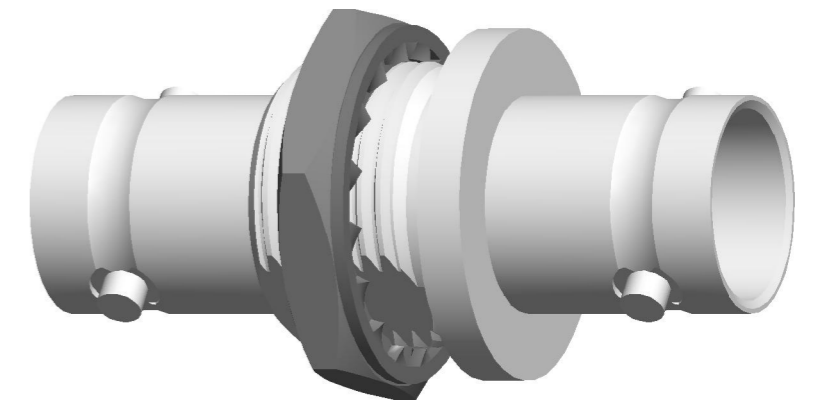
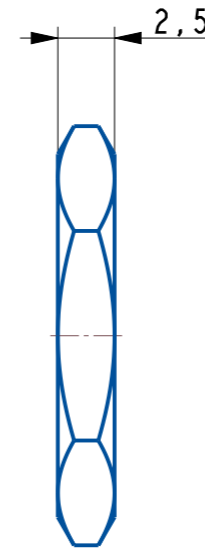
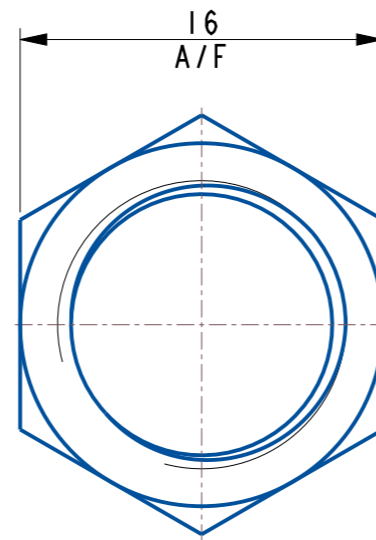
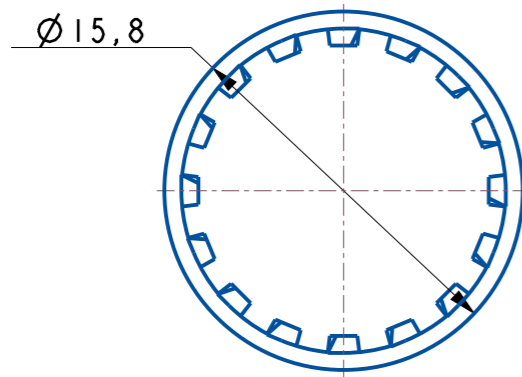
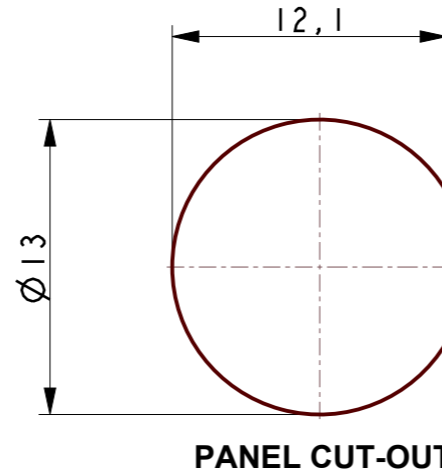
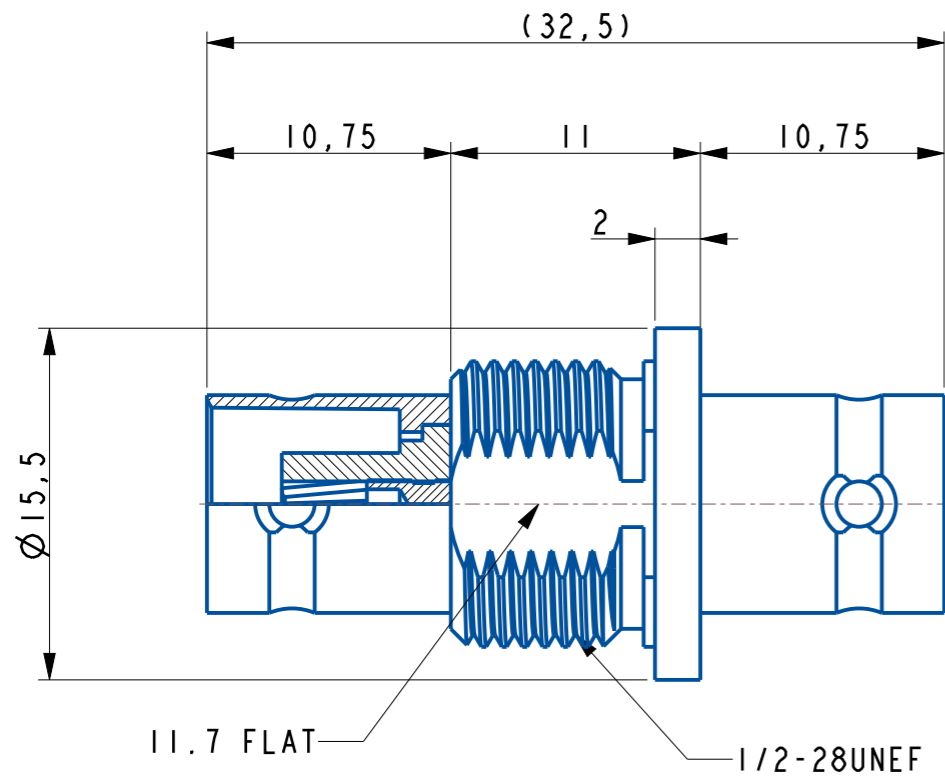


UNLESS OTHERWISE SPECIFIED ALL DIMENSIONS ARE IN MM



SCALE 3:1

ISSUE	CHANGE DESCRIPTION	DATE	APPROVED
1	FRST ISSUE	23-Aug-02	SN
2	DIMENSION CHANGES	08-May-06	JW
3	DIMENSION CHANGES	18-Oct-07	MS
4	D17506	26-Jul-24	SM

ELECTRICAL CHARACTERISTICS:

NOMINAL IMPEDANCE: 50
 FREQUENCY RANGE: DC TO 4 GHz
 VSWR: 1.3:1 MAX.
 INSERTION LOSS: 0.2 dB AT 3 GHz
 OPERATING VOLTAGE (RMS): 500 V MAX. AT SEA LEVEL
 DWV: 1500 V MAX. AT SEA LEVEL
 CONTACT RESISTANCE: 3.0 m MAX.
 INSULATION RESISTANCE: 5000 M MIN.

MECHANICAL CHARACTERISTICS:

MATING CYCLES: 500 CYCLES MIN.
 INTERFACE DIMENSIONS: CONFORMS TO MIL-C-39012

ENVIRONMENTAL CHARACTERISTICS:

TEMPERATURE RANGE: -55 °C TO +85 °C

ITEM	PART	MATERIAL	PLATING
1	BODY	BRASS	NICKEL
2	DIELECTRIC	PTFE	-
3	CONTACT	BRASS	GOLD
4	LOCK WASHER	STEEL	NICKEL
5	NUT	BRASS	NICKEL
6	WASHER	STEEL	NICKEL

DRAWN TO BS 8888
 TOLERANCES (unless specified): ISO 2768mK

DRAWN BY:
M.BARRACLOUGH

CAGE CODE:
 U1718

DRAWING TITLE:
 BNC BULKHEAD JACK TO BNC JACK

DRAWING NUMBER:
 VBA100-1

SCALE:
 3:1

SHEET:
 1 OF 1

A3

cinch CONNECTIVITY SOLUTIONS
 a bel group

CINCH CONNECTORS LTD
 SHIREOAKS ROAD, WORKSOP
 S80 3HA (01909) 474131

THIS DRAWING IS COPYRIGHT AND IS ISSUED ON CONDITION THAT IT IS NOT COPIED, REPRODUCED OR DISCLOSED TO A THIRD PARTY WITHOUT PRIOR WRITTEN CONSENT OF CINCH LTD. ATTENTION IS DRAWN TO THE FACT THE ARTICLE DISCLOSED MAY BE COVERED BY BRITISH OR FOREIGN PATENTS, GRANTED OR PENDING OR REGISTERED DESIGN.