

MODEL NUMBER
ATT-0392-XX-NNN-07

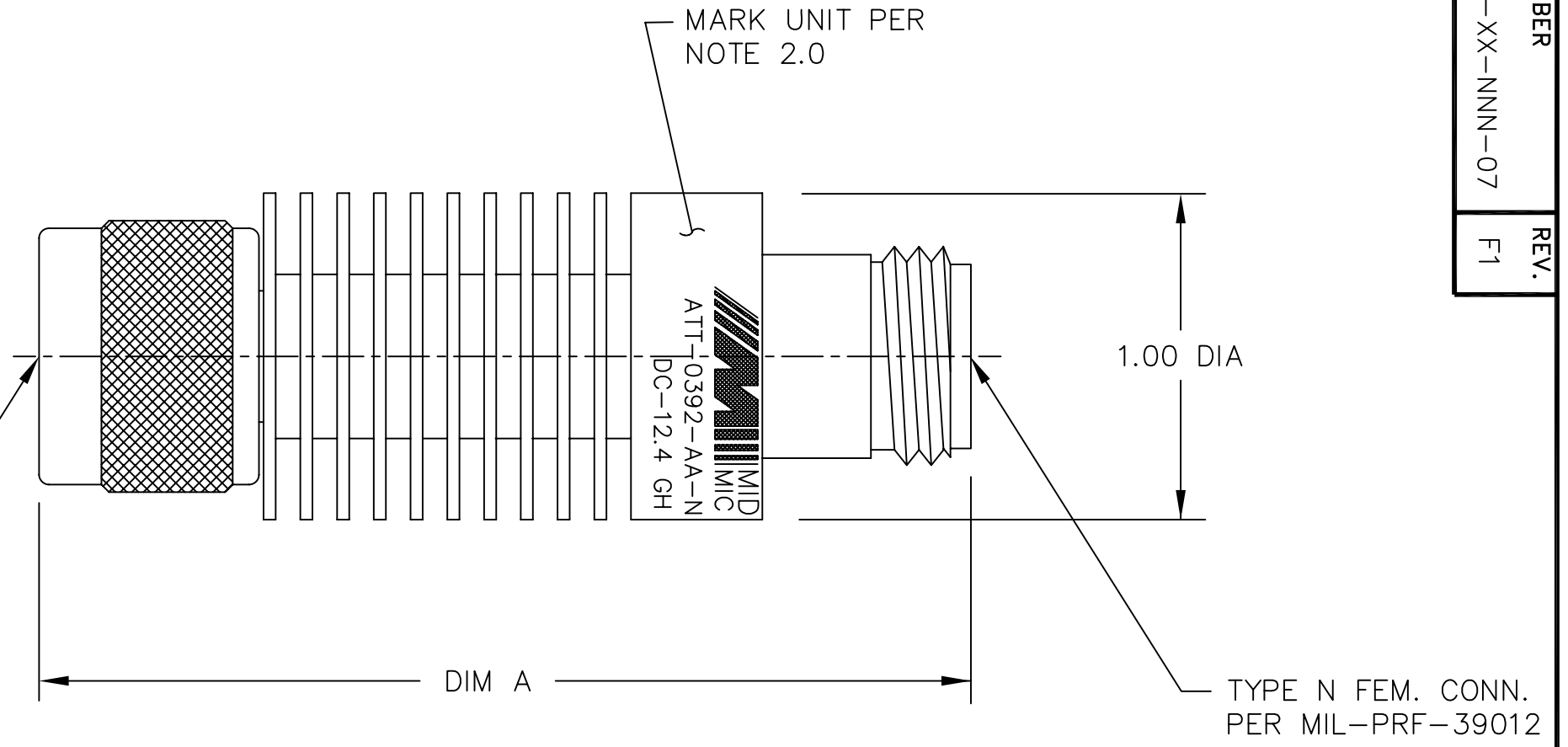
REV.
F1

NOTES:

- 1.0 SPECIFICATIONS:
 1.1 FREQUENCY RANGE: DC to 12.4 GHz
 1.2 IMPEDANCE: 50 OHMS NOMINAL
 1.3 ATTENUATION AND ACCURACY:
 1 to 6dB: ±0.3dB
 7 to 20dB: ±0.5dB
 21 to 40dB: ±0.7dB
 1.4 MAXIMUM VSWR: 1.06 +.02 f (GHz)
 1.5 MAXIMUM INPUT POWER:
 10 WATTS AVG AT +40°C
 DERATED LINEARLY TO 1 WATT
 AT +125°C
 1.6 OPERATING TEMP. RANGE:
 -54°C to +125°C

2.0 MARKING:
 MARK UNIT AS SHOWN
 (REF.: INK-05128-27-01)

TYPE N MALE CONN.
 PER MIL-PRF-39012



7 to 40dB	2.84
1 to 6dB	2.40
dB VALUE	DIM A

WAS DWG NO.: 02370-01-00

REV.	DESCRIPTION	DATE
-	RELEASED	2/21/79
A	ECR 2115	3/22/83
B	ECR 6022	5/27/88
C	ECR 6233	10/14/88
D	ECR 6545 (RENUMBER)	6/29/89
E	ECN 10762 (CAD)	7/16/91
F	ECN 13252	3/1/94
F1	ADDED TITLEBLOCK	4/4/05

UNLESS OTHERWISE NOTED DIMENSIONS ARE IN INCHES AND TOLERANCES ARE: 3 PLACE DECIMALS ±.005 2 PLACE DECIMALS ±.02 FRACTIONS ±1/64 PARALLELITY: T.I.R. _____ FLATNESS: T.I.R. _____ CONCENTRICITY: T.I.R. _____ ANGLES AND PERPENDICULARITY: ±1°	FSCM NO. 34078	MIDWEST MICROWAVE		
	NOTICE: The information contained in this drawing is proprietary and must not be used without the permission of Midwest Microwave			TITLE ATTENUATOR
	DRAWN/DATE A.BEATTY 7/16/91	ENG./DATE G.KOZAK 7/16/91	DRAWING NUMBER ATT-0392-XX-NNN-07	
	CHECKED/DATE C.RICKARD 7/16/91	APPROVED/DATE	SCALE: 2=1	SHEET 1 of 1