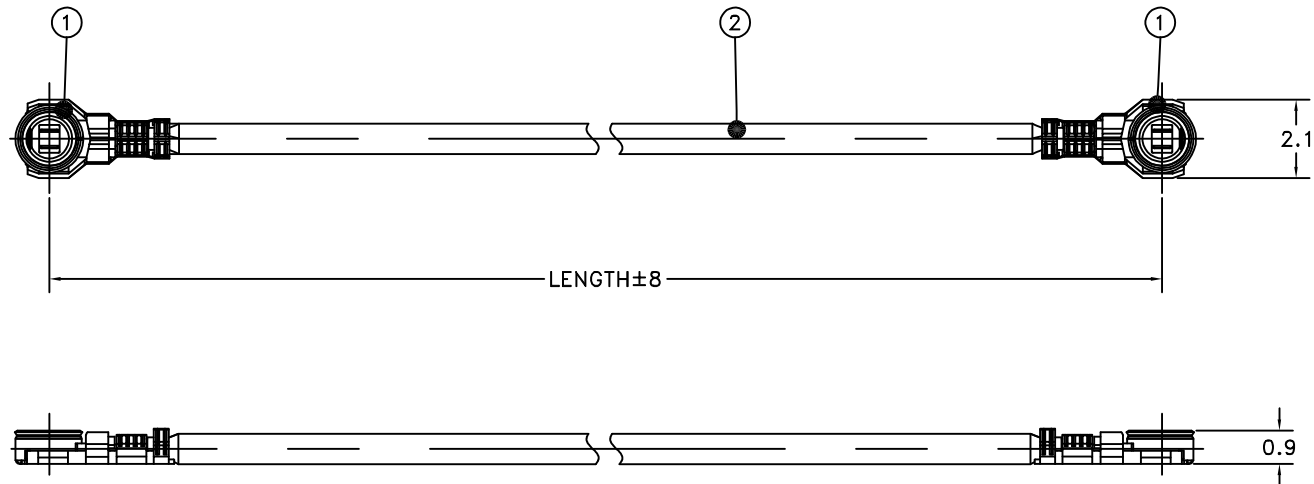


PART NUMBER	CABLE ASSY P/N	LENGTH
415-0560-050	415-0560-050P	50mm
415-0560-100	415-0560-100P	100mm
415-0560-150	415-0560-150P	150mm
415-0560-200	415-0560-200P	200mm
415-0560-250	415-0560-250P	250mm
415-0560-300	415-0560-300P	300mm
415-0560-500	415-0560-500P	500mm

REV	ECO	DATE
1	INITIAL RELEASE	04/06/2023



NOTE:

- CABLE ASSEMBLY DIELECTRIC WITHSTANDING VOLTAGE: 200 VRMS.
- REFERENCE CONNECTOR ORIENTATION AS SHOWN.
- ASSEMBLIES 415-0560-XXXP TO BE BULK PACKED.
ASSEMBLIES 415-0560-XXX TO BE PACKAGED 5 PER BAG.

PART LIST		
ITEM	QTY	DESCRIPTION
1	2	MHF4L GOLD PLATING
2	AR	0.81CABLE, BLACK

<p>This PROPRIETARY document is property of Cinch Connectivity Solutions. It is confidential in nature, non-transferable, and issued with the clear understanding that it is not to be traced or copied without permission and is returnable upon demand.</p> <p>INTERPRET DRAWING IN ACCORDANCE WITH ASME Y14.5-2018.</p>	Model No: 415-0560-001/999	JOHNSON			
	RoHS (EU)/2015/863 COMPLIANT	Cage Code	Title:		
	UNLESS OTHERWISE SPECIFIED UNITS: MM	3RD ANGLE PROJECTION	CABLE ASSY, XMC-9 TO XMC-9		
	.X ±0.2 .XX ±0.08 ANGLES ±	Drawn by: TOMMY REN	Drawing No. 415-0560-001/999	REV. 1	
	Date: 04/06/2023	Size B	DO NOT SCALE DRAWING	Workmanship Std: NONE	Sheet 1 OF 1