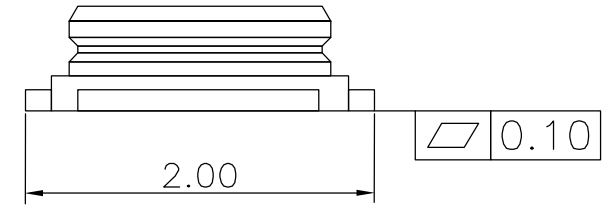
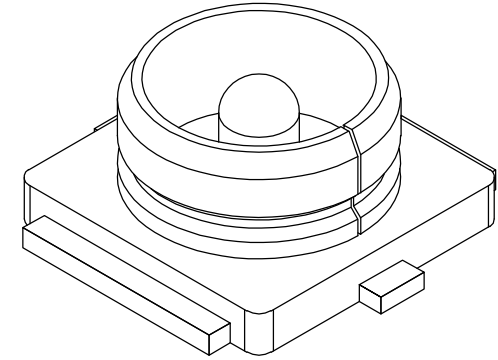
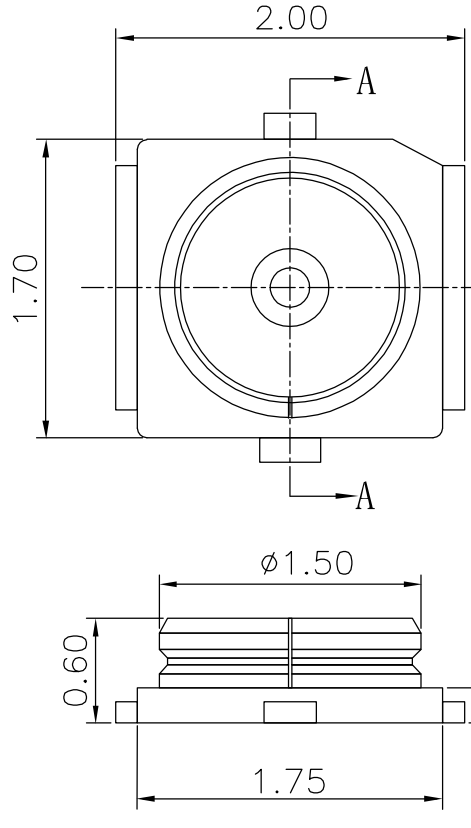
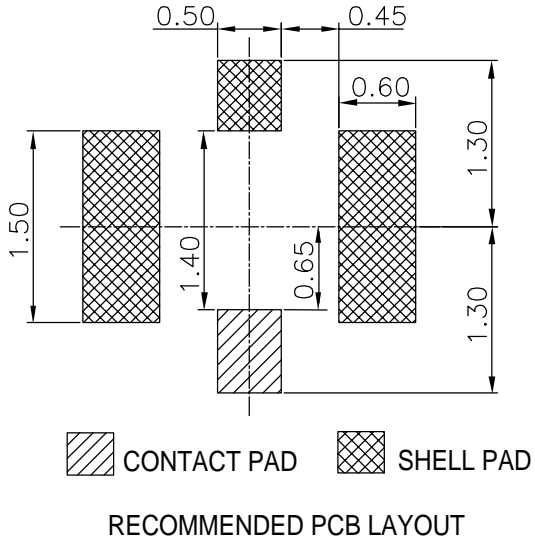


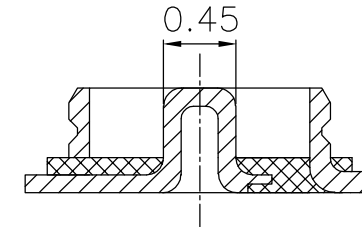
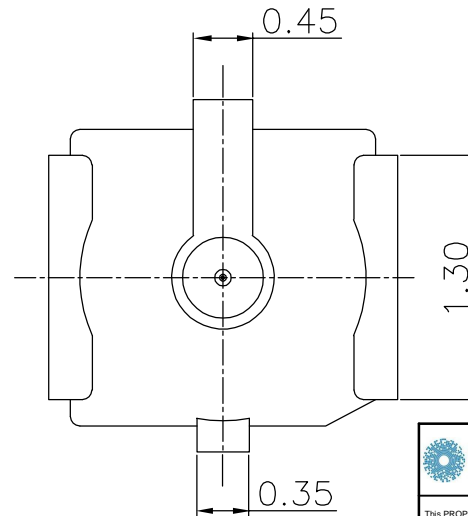
PART NUMBER	PACKAGING
28-0711-221	TAPE AND REEL 10000 PCS.

REV	ECO	DATE
 	 	
 	 	
1	-	2023/04/03



NOTE:

1. CONTACT RETENTION FORCE: 0.2 N MIN.
2. CONTACT MATERIAL: COPPER ALLOY.
3. INSULATOR: HIGH TEMPERATURE PLASTIC UL94 V-0.
4. CONTACT FINISH: GOLD PLATED OVER NICKEL
5. APPLICATION FREQUENCY UP TO 6G HZ.



SECTION A-A

<p>This PROPRIETARY Document is property of Cinch Connectivity Solutions. It is confidential in nature, non-transferable, and issued with the clear understanding that it is not to be tracked or copied without permission and is returnable upon demand.</p> <p>INTERPRET DRAWING IN UNITS: MM</p>	Model No.	128-0711-221/230	Johnson	
	RoHS <input checked="" type="checkbox"/> (EU)/2015/863 COMPLIANT	Cage Code	N/A	
	UNLESS OTHERWISE SPECIFIED	3RD ANGLE PROJECTION	Title:	
	.X ±- .XX ±- .XXX ±-		MHF4L RECEPTACLE	
	Drawn by:	TOMMY REN	Drawing No.	128-0711-221/230
	Date:		Rev.	1
			Size	DO NOT SCALE
			Workmanship Std.	