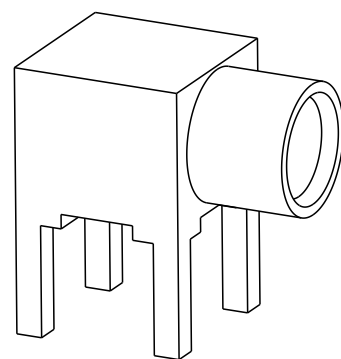
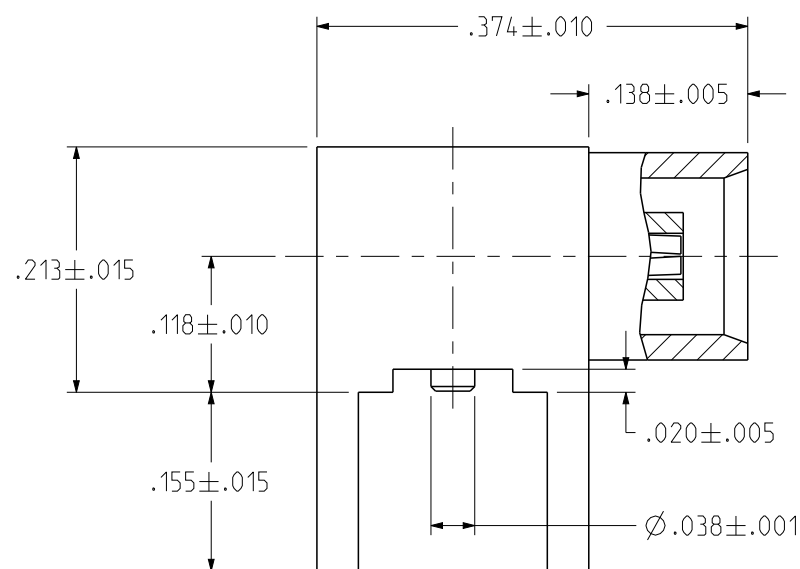


REV	ECO	DATE
1	INITIAL RELEASE	02JUL2020



SCALE 4:1



NOTES: UNLESS OTHERWISE SPECIFIED.

1. MATERIAL & FINISH:

- 1.1 BODY: (133-3711-321) GOLD PLATED BRASS
- 1.2 INSULATORS: PTFE (TEFLON)
- 1.3 CENTER CONTACT: GOLD PLATED BERYLLIUM COPPER

2. ELECTRICAL SPECIFICATIONS:

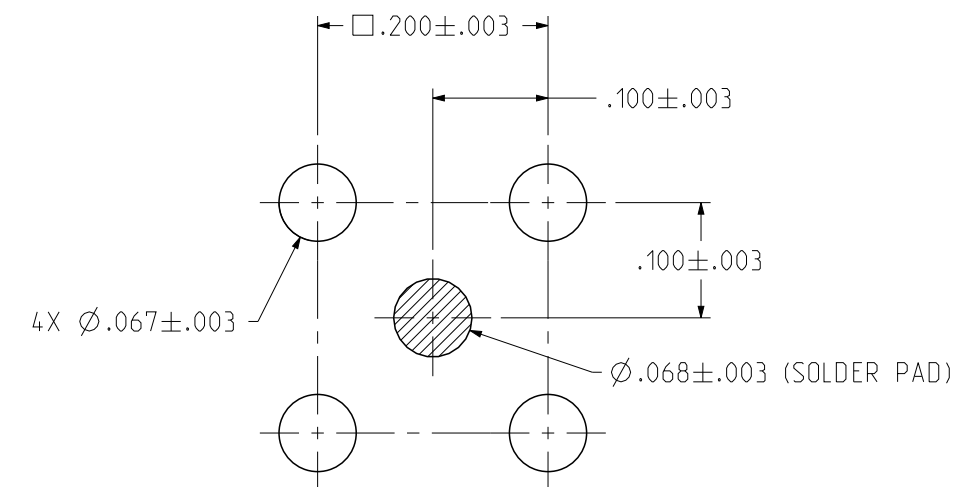
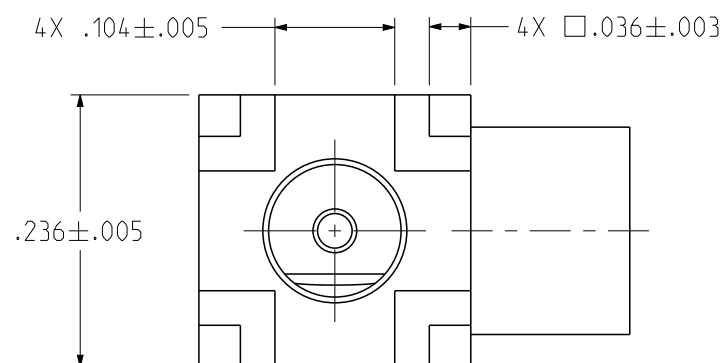
- 2.1 IMPEDANCE: 50 OHMS
- 2.2 FREQUENCY RANGE: 0 - 6 GHz
- 2.3 WORKING VOLTAGE: 335 VRMS MAX AT SEA LEVEL
- 2.4 DIELECTRIC WITHSTANDING VOLTAGE: 1000 VRMS MIN AT SEA LEVEL
- 2.5 INSULATION RESISTANCE: 10000 MEGOHM MIN
- 2.6 CONTACT RESISTANCE:
 - CENTER CONTACT - INITIAL 5 MILLIOHM MAX, AFTER ENVIRONMENTAL 8 MILLIOHM MAX
 - OUTER CONDUCTOR - GOLD AND SILVER PLATED INITIAL 1 MILLIOHM MAX, AFTER ENVIRONMENTAL 1.5 MILLIOHM MAX
 - NICKEL PLATED INITIAL 2.5 MILLIOHM MAX, AFTER ENVIRONMENTAL 3.5 MILLIOHM MAX
- 2.7 CORONA LEVEL: 250 VOLTS MIN AT 70,000 FEET
- 2.8 RF HIGH POTENTIAL WITHSTANDING VOLTAGE: 600 VRMS AT 4 AND 7 MHz

3. MECHANICAL SPECIFICATIONS:

- 3.1 ENGAGE/DISENGAGE FORCE: 5.6 LBS MAX ENGAGEMENT
1.0 LBS MIN DISENGAGEMENT
8.0 LBS MAX DISENGAGEMENT
- 3.2 DURABILITY: 500 CYCLES MIN

4. ENVIRONMENTAL:

- 4.1 (MEETS OR EXCEEDS THE APPLICABLE PARAGRAPH OF MIL-PRF-39012)
- 4.2 THERMAL SHOCK: MIL-STD-202, METHOD 107, CONDITION F
- 4.3 OPERATING TEMPERATURE: -65 DEG C TO 165 DEG C
- 4.4 CORROSION: MIL-STD-202, METHOD 101, CONDITION B
- 4.5 SHOCK: MIL-STD-202, METHOD 213, CONDITION B
- 4.6 VIBRATION: MIL-STD-202, METHOD 204, CONDITION B
- 4.7 MOISTURE RESISTANCE: MIL-STD-202, METHOD 106



MOUNTING HOLE LAYOUT

	Model No:	133-3711-321/330	JOHNSON	
	RoHS <input checked="" type="checkbox"/> (EU)/2015/863 COMPLIANT	Cage Code	Title: JACK ASSEMBLY RA SURFACE MOUNT MCX	
<small>This PROPRIETARY Document is property of Cinch Connectivity Solutions. It is confidential in nature, non-transferable, and issued with the clear understanding that it is not traced or copied without permission and is returnable upon demand.</small> <small>INTERPRET DRAWING IN ACCORDANCE WITH ASME Y14.5-2009.</small>	UNLESS OTHERWISE SPECIFIED UNITS: INCH	3RD ANGLE PROJECTION	Drawing No.	133-3711-321/330
	.XX ± .01 .XXX ± .003 .XXXX ± .0010 ANGLE ± 2°	Drawn by: Roman.Yao	Date: 7/2/2020	REV. 1
Size B	DO NOT SCALE DRAWING	Workmanship Std/Sheet NONE	1 OF 1	