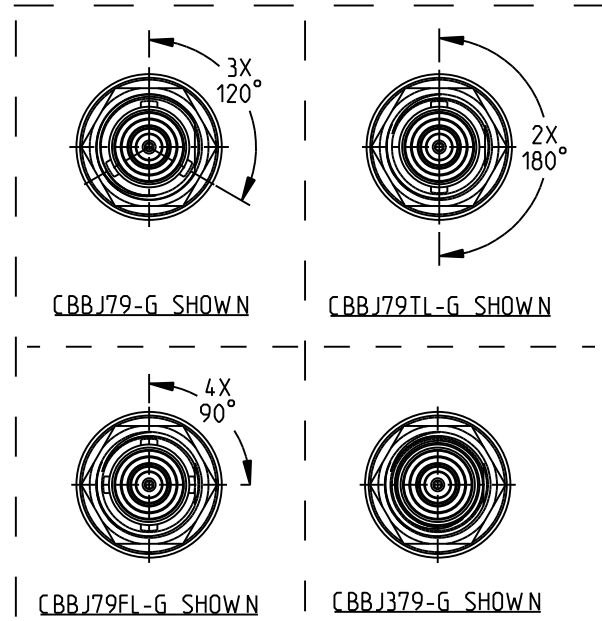
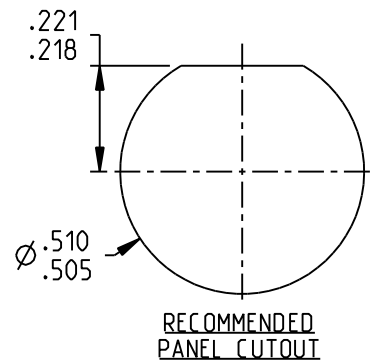
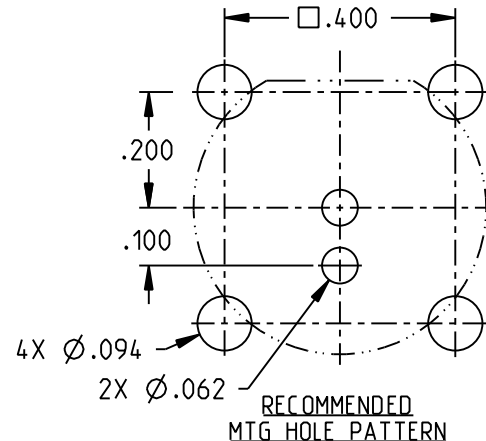
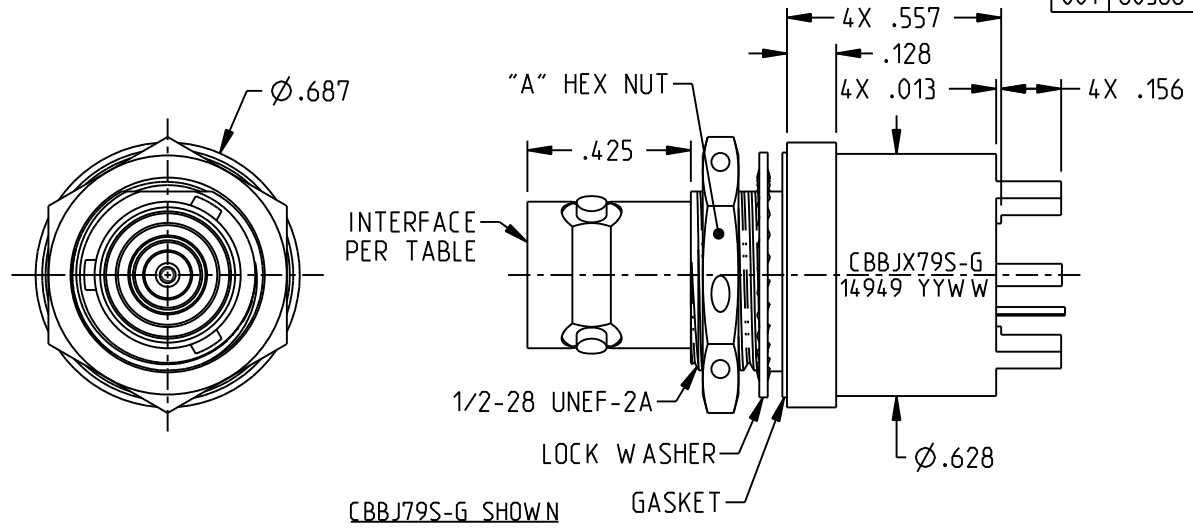


MODEL NUMBER	"A"	INTERFACE PER
CBBJ79-G	9/16	MIL-STD-348 FIG. 201-2
CBBJ79S-G	5/8 w/3X ϕ .047 SAFETY WIRE HOLES	
CBBJ79TL-G	9/16	
CBBJ79TLS-G	5/8 w/3X ϕ .047 SAFETY WIRE HOLES	
CBBJ79FL-G	9/16	
CBBJ79FLS-G	5/8 w/3X ϕ .047 SAFETY WIRE HOLES	
CBBJ379-G	9/16	MIL-STD-348 FIG. 202-2
CBBJ379S-G	5/8 w/3X ϕ .047 SAFETY WIRE HOLES	

REV	ECO	DATE
001	60388	11/10/2025



NOTES: UNLESS OTHERWISE SPECIFIED.

1. MATERIAL & FINISH:

- 1.1 BODY: GOLD PLATED BRASS
- 1.2 INSULATOR & DIELECTRIC: PTFE (TEFLON)
- 1.3 INTERMEDIATE CONTACT: GOLD PLATED BRASS
- 1.4 CENTER CONTACT: GOLD PLATED BERYLLIUM COPPER
- 1.5 GASKET: SILICONE RUBBER
- 1.6 MOUNTING HARDWARE: GOLD PLATED COPPER ALLOY

2. ELECTRICAL:

- 2.1 FREQUENCY (MAX): 500 MHZ
- 2.2 IMPEDANCE: NON-CONSTANT

3. PANEL NUT TORQUE (MAX): 35 INCH POUNDS

4. PANEL THICKNESS (MAX): .109

<p>NOTICE: The information in this drawing is PROPRIETARY and must not be used without the permission of Cinch Connectivity Solutions. It may contain data whose export is restricted. Verify status prior to exporting.</p> <p>INTERPRET DRAWING IN ACCORDANCE WITH ASME Y14.5-2018</p>	Model No:	CBBJX79YYZ-G	Title: TROMPETER		
	RoHS2 <input checked="" type="checkbox"/>	Cage Code	14949	TRB/TRT BULKHEAD CIRCUIT BOARD JACK	
	UNLESS OTHERWISE SPECIFIED UNITS: INCH	3RD ANGLE PROJECTION	ENGINEER:	Drawing No.	REV.
	.XX ±.02 .XXX ±.010 ANGLES ±2°	Date:	C. MONAHAN	3-0379	001
	Size	11/10/2025	A	DO NOT SCALE DRAWING	Workmanship Std: TFS-4
					Sheet 1 OF 1