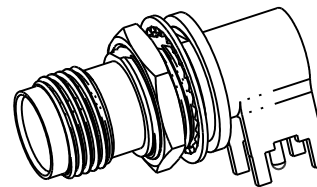
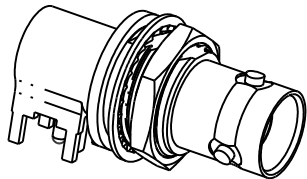
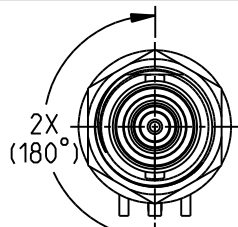


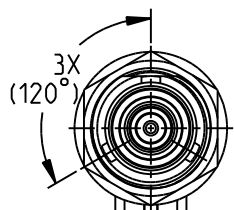
MODEL NUMBER	Ø "A"	Ø "B"
CBBJR79ZZ-G	.24	.063
CBBJR79ZZA-G	.34	.070



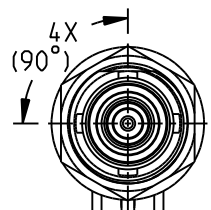
REV	ECO	DATE
001	60038	2/26/2025
002	60386	2/20/2026



CBBJR79TL-G SHOWN

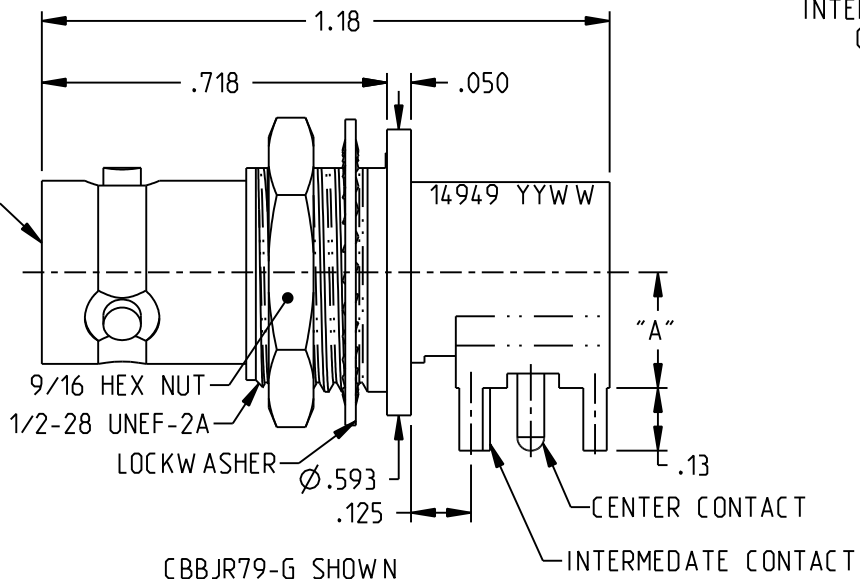


CBBJR79-G SHOWN

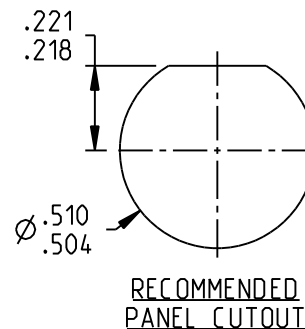
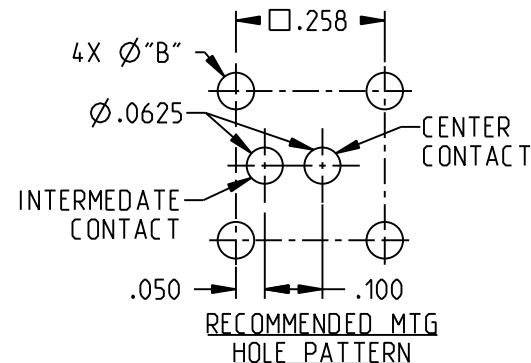


CBBJR79FL-G SHOWN

TRB JACK INTERFACE  
PER MIL-STD-348,  
FIGURE 201-2



CBBJR79-G SHOWN



NOTES: UNLESS OTHERWISE SPECIFIED:

1. MATERIAL & FINISH:

- 1.1 BODY: GOLD PLATED BRASS
- 1.2 INSULATOR & DIELECTRIC: PTFE (TEFLON)
- 1.3 INTERMEDIATE CONTACT: GOLD PLATED BRASS
- 1.4 CENTER CONTACT: GOLD PLATED BERYLLIUM COPPER
- 1.5 MOUNTING HARDWARE: GOLD PLATED COPPER ALLOY

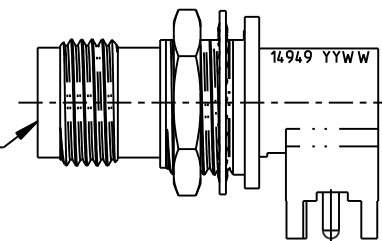
2. ELECTRICAL:

- 2.1 FREQUENCY (MAX): 500 MHZ
- 2.2 IMPEDANCE: NON-CONSTANT

3. PANEL NUT TORQUE (MAX): 35 INCH POUNDS

4. PANEL THCKNESS (MAX): .125

TRT JACK INTERFACE  
PER MIL-STD-348,  
FIGURE 202-2



CBBJR379A-G SHOWN

<p>NOTICE: The information in this drawing is PROPRIETARY and must not be used without the permission of Cinch Connectivity Solutions. It may contain data whose export is restricted. Verify status prior to exporting.</p> <p>INTERPRET DRAWING IN ACCORDANCE WITH ASME Y14.5-2018</p>	Model No:	CBBJR79ZZB-G	Title: TROMPETER		
	RoHS2	2015/063/EU	Cage Code	14949	
	UNLESS OTHERWISE SPECIFIED UNITS: INCH		3RD ANGLE PROJECTION	Drawing No.	
	.XX ±.02 .XXX ±.010 ANGLES ±2°		ENGINEER:	C. MONAHAN	REV. 001
		Date:	2/20/2026	Size A	
		DO NOT SCALE DRAWING		Workmanship Std: TFS-4	
				Sheet 1 OF 1	