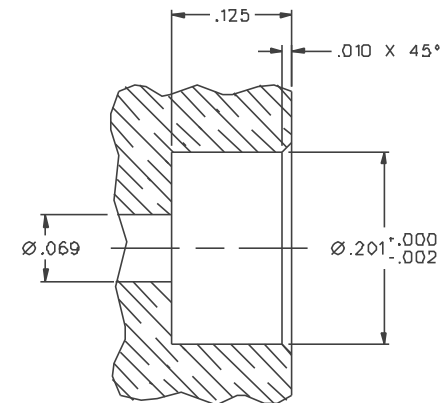
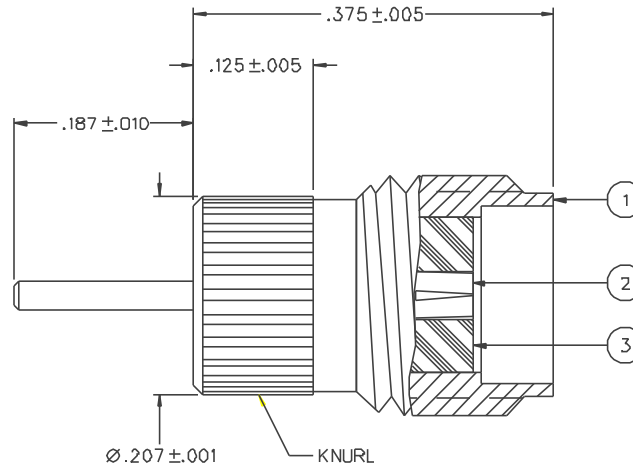
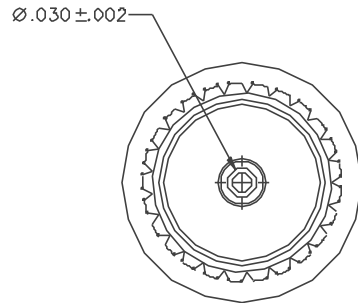


PART NUMBER	ITEM ① BCDY	ITEM ② CONTACT	ITEM ③ INSULATOR
142-1721-011	BRASS GOLD PL .00001 MIN OVER NICKEL PL .0001 MIN OVER COPPER PL .00005 MIN	BERYLLIUM COPPER GOLD PL .00005 MIN OVER NICKEL PL .00005 MIN OVER COPPER PL .00005 MIN	TEFLON
142-1721-016	BRASS NICKEL PL .0001 MIN OVER COPPER PL .00005 MIN	BERYLLIUM COPPER GOLD PL .00005 MIN OVER NICKEL PL .00005 MIN OVER COPPER PL .00005 MIN	TEFLON



### MOUNTING HOLE

NOT INTENDED FOR USE  
IN MATERIALS HARDER  
THAN ROCKWELL B82

#### NOTES:

##### 1. SPECIFICATIONS:

IMPEDANCE: 50 OHMS  
 FREQUENCY RANGE: 0-18 GHz  
 VSWR: DEPENDANT UPON APPLICATION  
 WORKING VOLTAGE: 335 VRMS MAX AT SEA LEVEL  
 DIELECTRIC WITHSTANDING VOLTAGE: 1000 VRMS MIN AT SEA LEVEL  
 INSULATION RESISTANCE: 5000 MEGOHM MIN  
 CONTACT RESISTANCE:  
 CENTER CONTACT - INITIAL 3.0 MILLIOHM MAX, AFTER ENVIRONMENTAL 4.0 MILLIOHM MAX  
 OUTER CONDUCTOR - INITIAL 2.0 MILLIOHM MAX AFTER ENVIRONMENTAL NOT APPLICABLE  
 BRAID TO BODY - NOT APPLICABLE  
 CORONA LEVEL: 250 VOLTS MIN AT 70.00 FEET  
 INSERTION LOSS: NOT APPLICABLE  
 RF LEAKAGE: NOT APPLICABLE  
 RF HIGH POTENTIAL WITHSTANDING VOLTAGE: 670 VRMS MIN AT 4 AND 7 MHz

##### MECHANICAL:

ENGAGE/DISENGAGE TORQUE: 2 INCH-POUNDS MAX  
 MATING TORQUE: 7-10 INCH POUNDS  
 COUPLING PROOF TORQUE: NOT APPLICABLE  
 COUPLING NUT RETENTION: NOT APPLICABLE  
 CONTACT RETENTION: 6 LBS MIN AXIAL FORCE  
 4 IN-OZ RADIAL TORQUE  
 CABLE ACCEPTABILITY: NOT APPLICABLE  
 CABLE HEX CRIMP SIZE: NOT APPLICABLE  
 CABLE RETENTION: NOT APPLICABLE  
 DURABILITY: 500 CYCLES MIN

##### ENVIRONMENTAL:

(MEETS OR EXCEEDS THE APPLICABLE PARAGRAPH OF MIL-C-39012)  
 THERMAL SHOCK: MIL-STD-202, METHOD 107, CONDITION B  
 OPERATING TEMPERATURE: -65 DEG C TO 165 DEG C  
 CORROSION: MIL-STD-202, METHOD 101, CONDITION B  
 SHOCK: MIL-STD-202, METHOD 213, CONDITION I  
 VIBRATION: MIL-STD-202, METHOD 204, CONDITION D  
 MOISTURE RESISTANCE: MIL-STD-202, METHOD 106


DRAWING NO. C - 142-1721-011/020	
0	REVISIONS
ENGINEERING RELEASE	
1	6-24-98 R H B I T R P 7-22-98 ECN 45625
CHANGED: UPDATED GRAPHICS	
2	3-7-00 R S I R C B ECN 46953
DIA .069 WAS DIA .116	
* REVISION NUMBER FOLLOWED BY AN ALPHA *	
* CHARACTER INDICATES DRAWING CLARIFI *	
* CATION OR PART NUMBER ADDITION ONLY *	
2a	4-26-02 S B ECN 48360

### CUSTOMER DRAWING

THIS DRAWING TO BE INTERPRETED  
PER ANSI Y 14.5M - 1982

"μSTATION"

### COMPANY CONFIDENTIAL

TOLERANCE UNLESS OTHERWISE SPECIFIED	DRAWN BY JRK	DATE 4-24-98	 Cinch Connectivity Solutions 299 Johnson Ave, Ste 100 Waseca, MN 56093 1-800-247-8256	
DECIMALS .XX	CHECKED BY JRK	DATE 7-6-98	TITLE SMA JACK ASSEMBLY, KNURL MOUNT, .030" DIAMETER CONTACT	
REF	APPROVED BY TAK	DATE 7-6-98		
MATL	APPROVED BY RJB	DATE 7-6-98	CODE NO.	DRAWING NO. C - 142-1721-011/020
FINISH	RELEASE DATE 7-22-98	SCALE 10:1	U/M INCH	SHEET 2 OF 2