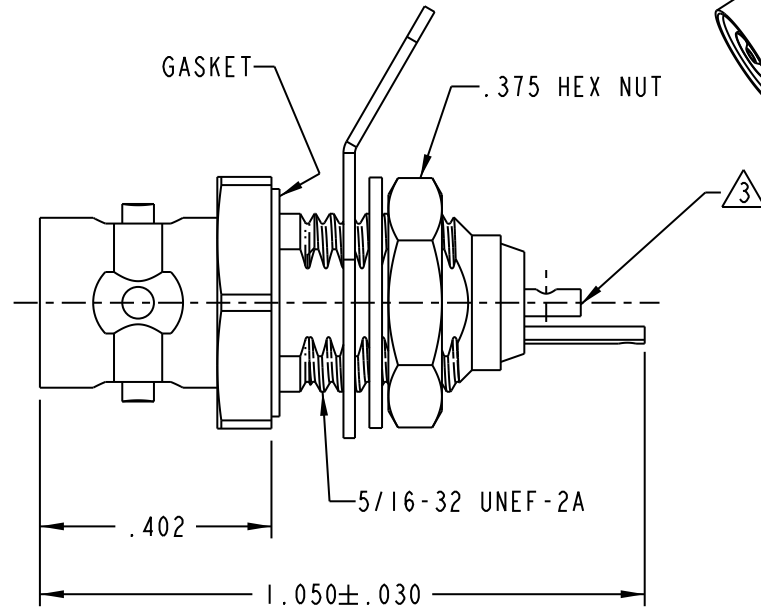
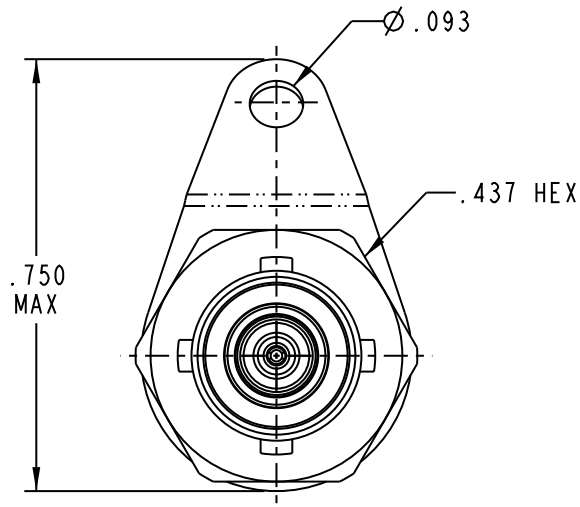
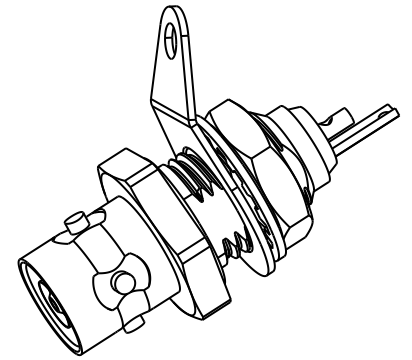


DATA CONTAINED IN THIS DOCUMENT IS PROPRIETARY TO CINCH CONNECTIVITY SOLUTIONS AND SHALL NOT BE DISCLOSED, COPIED OR USED FOR PROCUREMENT OR MANUFACTURE WITHOUT EXPRESS WRITTEN PERMISSION

REVISIONS			
REV	DESCRIPTIONS	DATE	APPROVED
K	ECO 53226	4-15-11	T. KOHLER



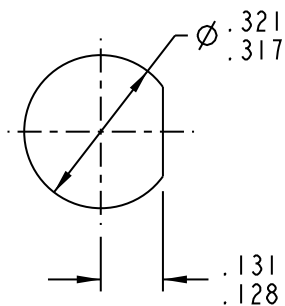
4. SUBMINIATURE TRIAXIAL SOLDER POT BULKHEAD MOUNT 4-LUG RECEPTACLE (TRS STYLE)

3 SOLDER POT ACCEPTS  $\varnothing .034$  MAXIMUM CONDUCTOR


2. MAXIMUM PANEL THICKNESS: .187

1. FINISH: TFS-1A (NICKEL)

NOTES: UNLESS OTHERWISE SPECIFIED.



RECOMMENDED PANEL CUTOUT

INTERPRET DRAWING PER MIL-STD-100. DIMENSIONS ARE IN INCHES AND INCLUDE FINISH THICKNESS UNLESS OTHERWISE SPECIFIED.		TOL: UNLESS SPECIFIED. .XX ± .02 .XXX ± .010 ANGLE ± 1°		 BJ157FL	
DRN L. MCLENNAN	6-28-11	MATERIAL:			
CHK B. RYAN	6-29-11	FINISH:		TITLE:	
QUALITY		SIZE		CAGE CODE	DRAWING NO.
MANUF		A		14949	305-0377
APPROVED		SCALE		DATE	REV.
PROF TITLE NO.	305-0377	DO NOT SCALE DWG		1/1	2-28-79
SURFACE AREA		SHEET		1 OF 1	