

RED INDICATES ORIGINAL

DATA CONTAINED IN THIS DOCUMENT IS PROPRIETARY TO TROMPETER ELECTRONICS, INC. AND SHALL NOT BE DISCLOSED, COPIED, OR USED FOR ANY OTHER PURPOSES WITHOUT EXPRESS WRITTEN PERMISSION.

REV		DESCRIPTION	DATE	BY
U	0490	REVISED NOTE 3; OMITTED DASH NUMBERS WITH U PREFIX; SH 2	1-0173	AK
		ADDED NOTES 3 AND 4		AK

CASH NO	QTY	CABLES ACCOMMODATED	A HEX	B DIA	C HEX	D HEX	E DIA	F DIA	ASSEMBLY PER
-1		RG-28							
-7		ESSEX 821-715							
-2A		RG-50							
-2B		BEIDEN 827B							
-3	1,3	W. S. CO. 730A	.525	1.000	.437	.687	.221	.510	
-3A		RG-55							
-4		RG-122							
		BEIDEN 821B							
		RG-174							
		RG-107							
-5A		RG-186							
-5B		HEWLETT-PACKARD B120-1107							
-6	1	BEIDEN 823	.750	1.030	.500	.750	.284	.375	T41-101
		RG-5					.281	.600	
		RG-6							
-21		RG-303							
-22		RG-180							
-31		GUMMAN 60875GPI							
		RG-187 DEL 8143							
-34	1,3	BEIDEN 822B	.525	1.000	.437	.687	.221	.510	
		275-3691 MICRODOT							
		B1B-588 AMPLEX							
-37		810 RAYCHEM							
-41		RG-304							
		8248 BEIDEN							
-44		BRAND-REX B742							
		DORE C06C032							
-51	1	82281 BEIDEN	.750	1.030	.500	.750	.304	.525	
-52		88125 BEIDEN					.281	.610	
-53	1,3	82553 BEIDEN							
-83		734A, A, BT	.525	1.000	.437	.687	.221	.510	T41-130
-086		RG-40E							
-141	2	RG-40E							

FIG 1
- 1 SHOWN

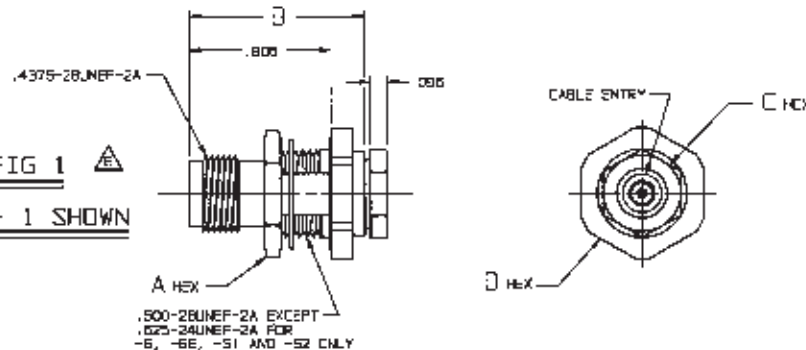


FIG 2
- 086 SHOWN

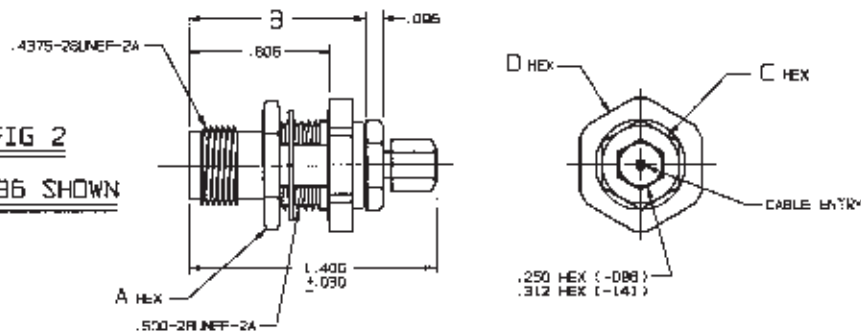
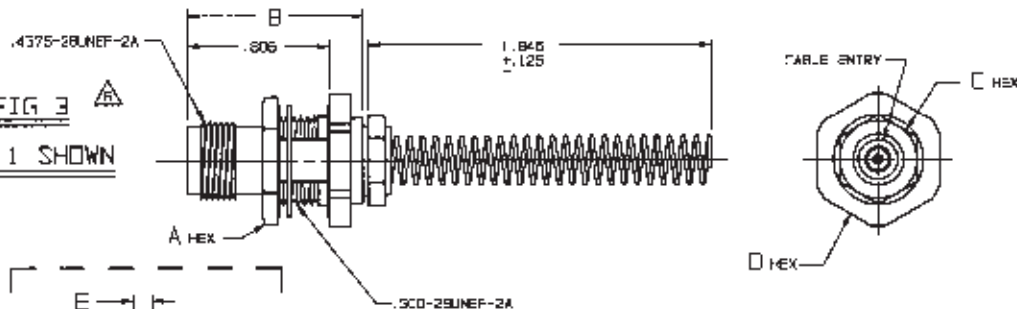


FIG 3
- 1 SHOWN



INCH	MM
.005	0.13
.030	0.76
.090	2.44
.125	3.18
.218	5.54
.221	5.61
.250	6.35
.281	7.14
.284	7.21
.312	7.92
.437	11.10
.500	12.70
.505	12.83
.510	12.95
.625	15.88
.630	16.00
.635	16.13
.687	17.45
.750	19.05
.805	20.47
1.000	25.40
1.000	25.40
1.408	35.71
1.845	46.99

IF BEND RELIEF SPRING REQUIRED (FIG 3)
ADD SUFFIX "BR" TO MODEL NO (NOT AVAILABLE
WITH CABLE GROUPS -8, -8E, -51, -52, -83, -086, -141)

5. FEMALE TYPE TNC COAXIAL BULKHEAD JACKS, BOTH 50 & 75 OHM VERSIONS

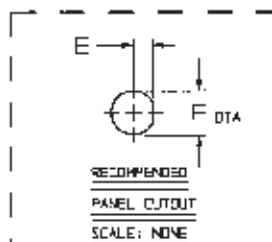
4. MAX PANEL THK .218

3. EXAMPLE OF COMPLETE MODEL NUMBER



2. FINISH: TFS-1A (NICKEL)

1. ALL DIM ARE IN INCHES



QTY	DESCRIPTION	PART NUMBER	ITEM
TOL UNLESS SPECIFIED		8140/UEJ49 8J46BR/UEJ46BR	REV
.001 ± .005 MILS UNLESS			
OWN	DATE 12-9-95	MATERIAL	CODE J07M
CHK	14949		1-0173
ENGR			
APPR	12/7/93	SCALE 2/1	DATE 4/21/70