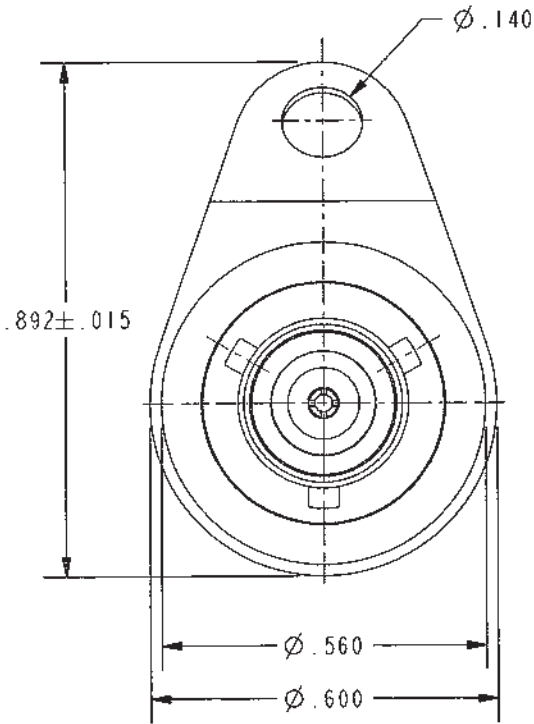
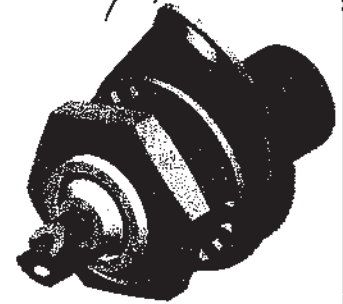
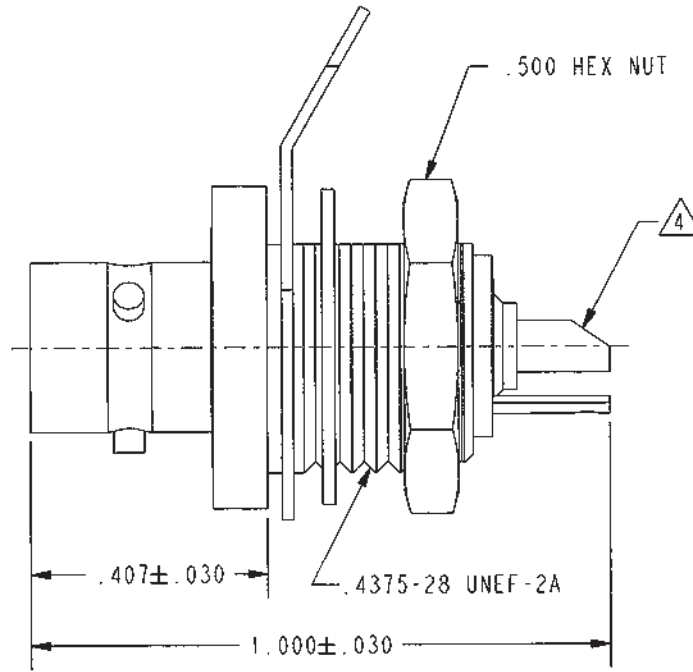


DATA CONTAINED IN THIS DOCUMENT IS PROPRIETARY TO TROMPETER ELECTRONICS INC. AND SHALL NOT BE DISCLOSED, COPIED OR USED FOR PROCUREMENT OR MANUFACTURE WITHOUT EXPRESS WRITTEN PERMISSION.

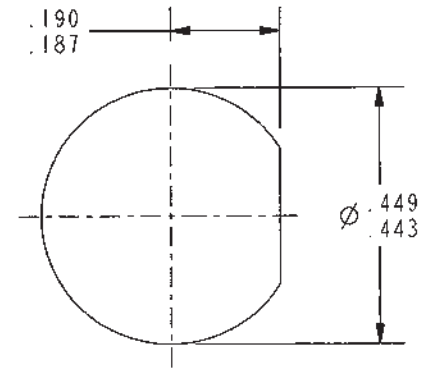
REVISIONS			
REV	DESCRIPTIONS	DATE	APPROVED
F	REVISED PER ECO # 16410	10/25/07	<i>amal</i>



SCALE 3/1



SCALE 2/1



RECOMMENDED  
PANEL CUTOUT  
SCALE 3/1

**RED INDICATES ORIGINAL**

- △ SOLDER POT ACCEPTS Ø .039 CONDUCTOR
- 3. .187 MAXIMUM PANEL THICKNESS
- 2. FINISH: TFS-1A (NICKEL)
- 1. TYPE TPS INSULATED SOLDER POT BULKHEAD JACK

NOTES: UNLESS OTHERWISE SPECIFIED.

INTERPRET DRAWING PER MIL-STD-100. DIMENSIONS ARE IN INCHES AND INCLUDE FINISH THICKNESS UNLESS OTHERWISE SPECIFIED.

TOL: UNLESS SPECIFIED:  
.XX ± .02  
.XXX ± .010  
ANGLE ± 1°



DRW J. CARPENTER	07-03-07	MATERIAL:
CHK <i>AM</i>	10/19/07	FINISH:
APP <i>Am</i>	10/19/07	SCALE
PROJ FILE NO. 1-0404	DO NOT SCALE DWG	DATE

TITLE: BJ57			
SIZE A	CAGE CODE 14949	DRAWING NO. 1-0404	REV. F
SCALE 3/1	DATE 6-25-74	SHEET 1C	