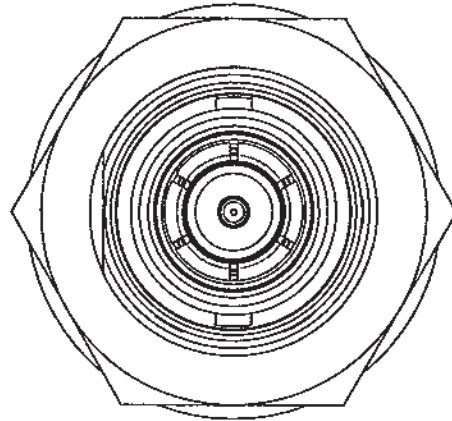
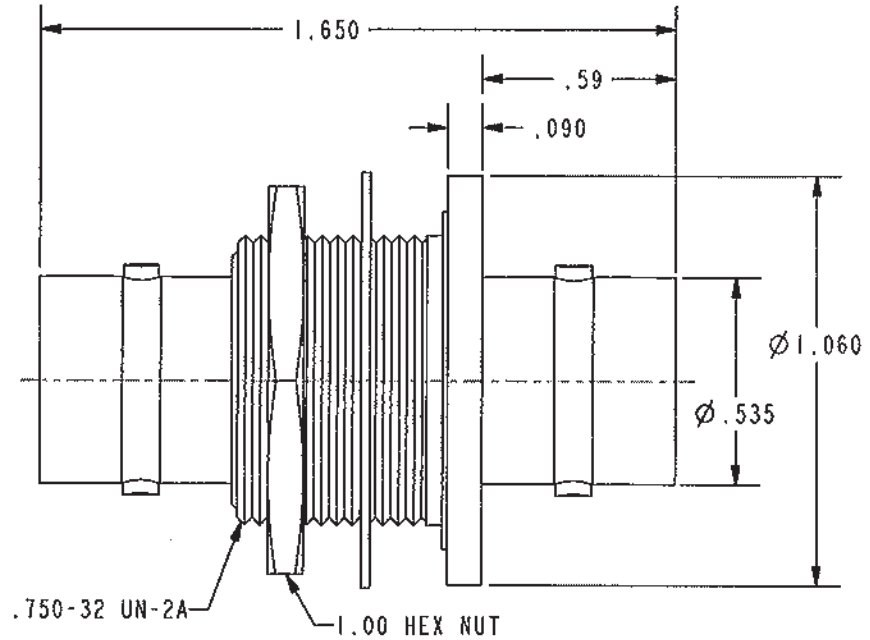


SCALE 1/1

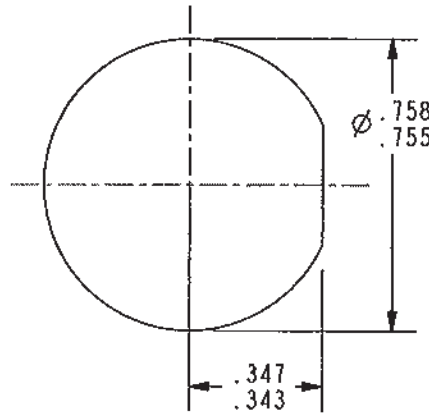


DATA CONTAINED IN THIS DOCUMENT IS PROPRIETARY TO TROMPETER ELECTRONICS INC. AND SHALL NOT BE DISCLOSED, COPIED OR USED FOR PROCUREMENT OR MANUFACTURE WITHOUT EXPRESS WRITTEN PERMISSION.

REVISIONS			
REV	DESCRIPTIONS	DATE	APPROVED
A	REVISED PER ECO # 16199	7/31/06	mmc



SCALE 2/1



RECOMMENDED PANEL CUTOUT
SCALE 2/1

INDICATES ORIGINAL

3. MAX PANEL THICKNESS .350
2. FINISH: 7FS-1A (NICKEL)
1. CONCENTRIC TWINAX/TRIAX TYPE INSULATED BULKHEAD MOUNT FEEDTHRU JACK

NOTES: UNLESS OTHERWISE SPECIFIED.

INTERPRET DRAWING PER MIL-STD-100. DIMENSIONS ARE IN INCHES AND INCLUDE FINISH THICKNESS UNLESS OTHERWISE SPECIFIED.		TOL: UNLESS SPECIFIED. .XX ± .02 .XXX ± .010 ANGLE ± 1°			
DRN J. CARPENTER CHK CMM QUOTE MANU APPROVED DATE 7/31/06 PRJCT FILE NO. 305-0461	07-10-06 7/28/06	MATERIAL: FINISH:	TITLE: BJ83	SIZE A CAGE CODE 14949	DRAWING NO. 305-0461 DATE 09-29-86
NEXT ASSY	DO NOT SCALE DWG	SCALE 2/1	SHEET 1C	REV. A	SHEET 1C