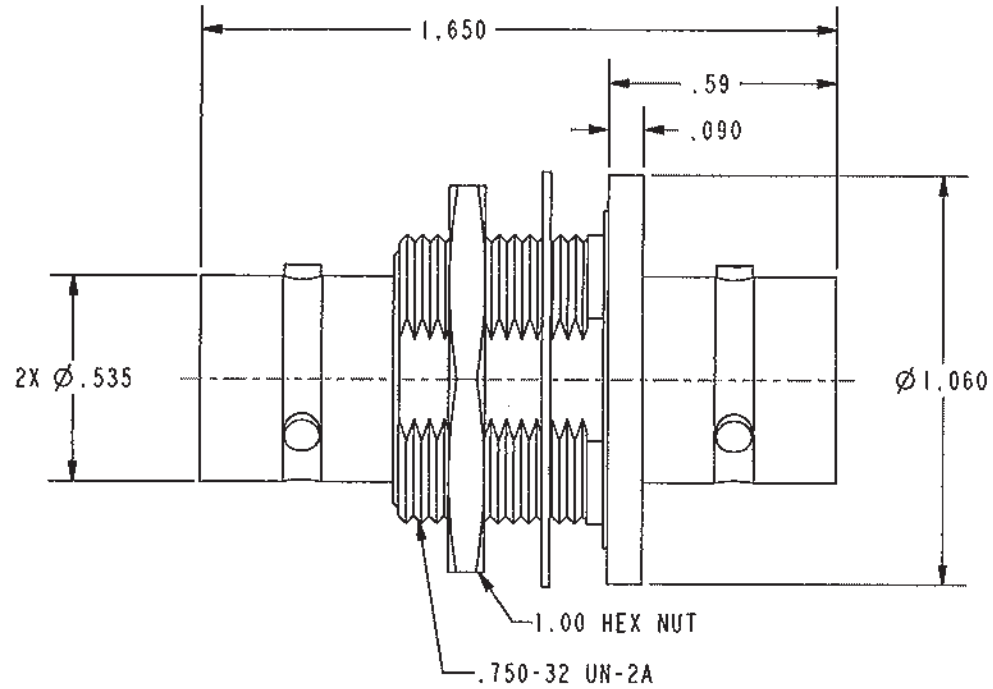


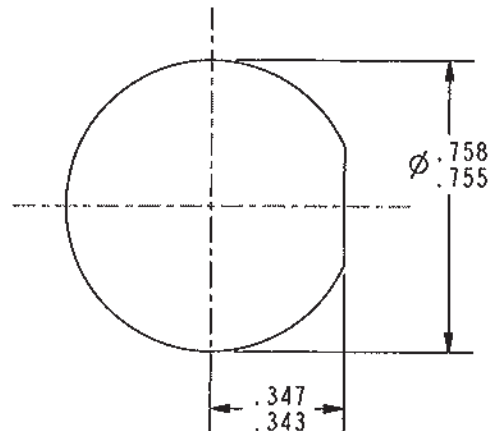
SCALE 1/1

DATA CONTAINED IN THIS DOCUMENT IS PROPRIETARY TO TROMPETER ELECTRONICS INC. AND SHALL NOT BE DISCLOSED, COPIED OR USED FOR PROCUREMENT OR MANUFACTURE WITHOUT EXPRESS WRITTEN PERMISSION.

REVISIONS			
REV	DESCRIPTIONS	DATE	APPROVED
B	REVISED PER ECO # 16198	7/31/06	AMC



SCALE 2/1



RECOMMENDED
PANEL CUTOUT
SCALE 2/1

INDICATES ORIGINAL

3. MAXIMUM PANEL THICKNESS .343
2. FINISH: TFS-1A (NICKEL)
1. 3-LUG CONCENTRIC TWINAX/TRIAX TRS STYLE BULKHEAD FEED-THRU RECEPTICAL

NOTES: UNLESS OTHERWISE SPECIFIED.

INTERPRET DRAWING PER ALL-STD-100. DIMENSIONS ARE IN INCHES AND INCLUDE FINISH THICKNESS UNLESS OTHERWISE SPECIFIED.		TOL: UNLESS SPECIFIED. .XX ± .02 .XXX ± .010 ANGLE ± 1°		 <small>a cinch connectivity solutions brand</small>	
DRN J. CARPENTER CIR CMG DATE 7/28/06	07-10-06	MATERIAL:	TITLE:	BJ833	
MANUF	APPROVED	FINISH:	SIZE A	CAGE CODE 14949	DRAWING NO. 3-0219
NEXT ASSY	PROJE FILE NO. 3-0219	DO NOT SCALE DWG	SCALE 2/1	DATE 01-14-87	SHEET 1C
			REV. B		