

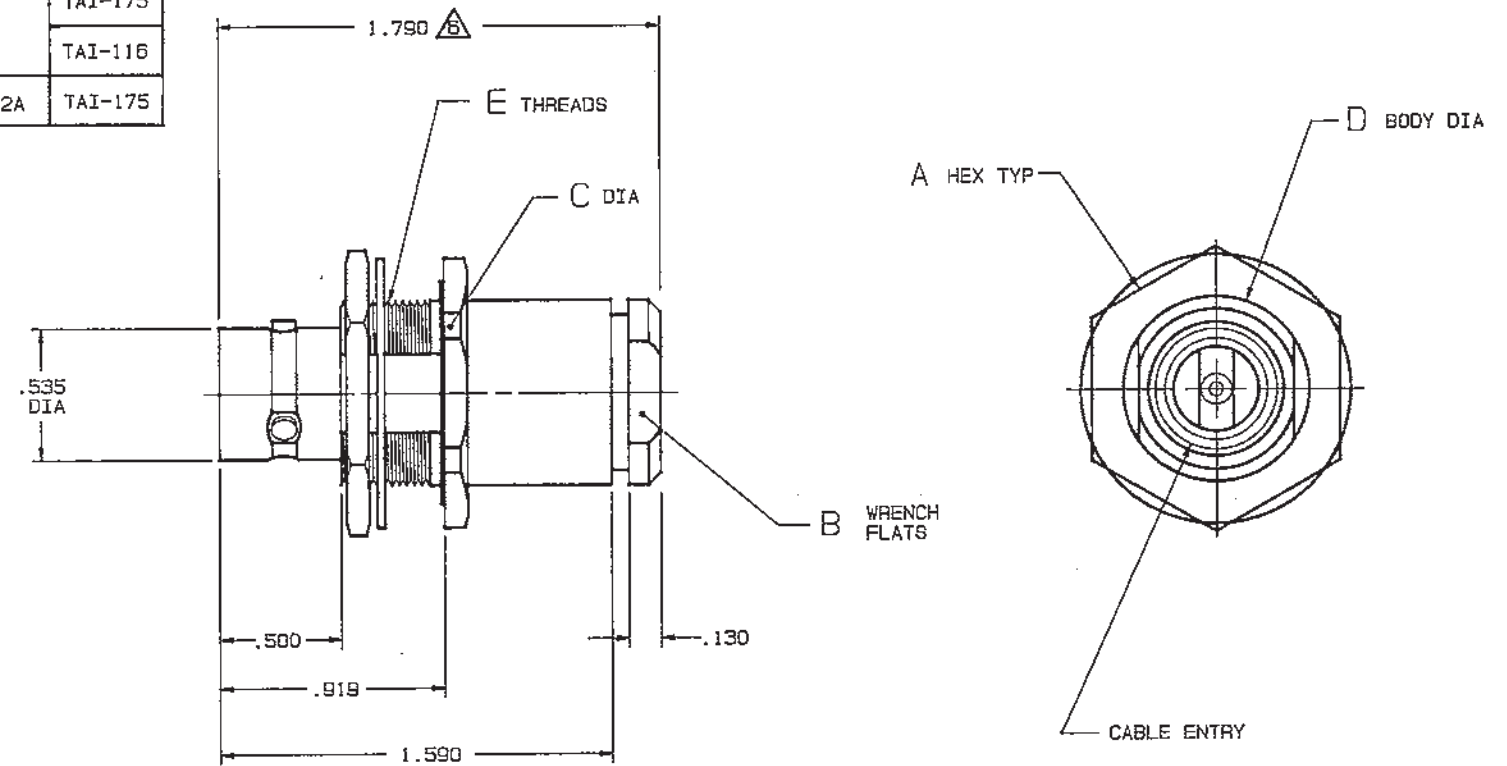
DISK # H8 DATA CONTAINED IN THIS DOCUMENT IS PROPRIETARY TO TROMPETER ELECTRONICS INC. AND SHALL NOT BE DISCLOSED, COPIED OR USED FOR PROCUREMENT OR MANUFACTURE WITHOUT EXPRESS WRITTEN PERMISSION.

REVISIONS			3-0263	SH 1	
REV	EO	DESCRIPTION	DWN	APPROVED	DATE
C	8528	REV BOM AND TAI ON -7,-8,-13,-13A,-14,-14A,-15,-25,-32,-42,-61 AND -62 & REDRAWN	DJK	<i>[Signature]</i>	7-25-89

DASH NO	CABLES ACCOMMODATED	FIG	A HEX	B FLATS	C DIA	D DIA	E THREADS	ASSEMBLE PER						
-7	TRC-50-2/TRC-75-2	1	1.000	.625	1.090	.750	.750-32UN-2A	TAI-175						
-8	8227 BELDEN							TAI-116						
-9	TWC-78-2,R6-108 TWC-124-2							TAI-131						
-10	754E W.E.CO. R6-22							TAI-175						
-11	760A W.E.CO.							2	1.250	.875	1.375	1.000	1.000-28UN-2A	TAI-116
-12	16 PEVL W.E.CO.													TAI-175
-13	TRF-59 TIMES													TAI-116
-13A	8232 BELDEN													TAI-175
-14	21-529 ESSEX 8233 BELDEN													TAI-116
-14A	TRC-50-4A													TAI-175
-15	21-583 ESSEX													TAI-116
-16	21-950 ESSEX													TAI-175
-26	275-3962 MICRODOT													TAI-116
-29	TWC-124-1A	1	1.000	.625	1.090	.750	.750-32UN-2A							TAI-175
-32	TRC-50-1													TAI-116
-42	21-204 ESSEX													TAI-175
-46	9860 BELDEN													TAI-116
-54	89207 BELDEN							TAI-175						
-61	5012W5B12 RAYCHEM							2	1.250	.875	1.375	1.000	1.000-28UN-2A	TAI-175
-62	7518A0811 RAYCHEM													TAI-175

RED INDICATES ORIGINAL

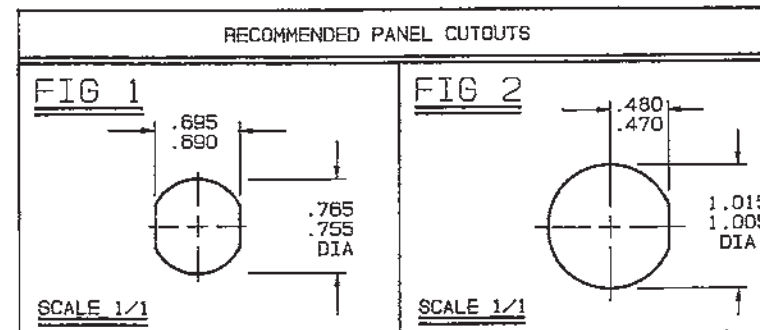
INCH	MM
.005	0.13
.130	3.30
.250	6.35
.470	11.94
.480	12.19
.500	12.70
.535	13.59
.625	15.88
.690	17.53
.695	17.65
.750	19.05
.755	19.18
.765	19.43
.875	22.23
.919	23.34
1.000	25.40
1.005	25.53
1.015	25.78
1.090	27.69
1.250	31.75
1.375	34.93
1.590	40.39
1.790	45.47



-10 SHOWN

- △ DIM IS MAX WHEN ASSEMBLED TO CABLE
- 5. 3-LUG CONCENTRIC TWINAX/TRIAX "C" STYLE BULKHEAD MOUNT RECEPTACLE WITH PIN CENTER CONTACT

- △ MAX PANEL THK .250
- 3. INTERFACE: TCS-8J80
- 2. FINISH: TFS-1A (NICKEL)
- 1. ALL DIM ARE IN INCHES



QTY	DESCRIPTION	PART NUMBER	ITEM
TOL UNLESS SPECIFIED .XX ± .XXX ± .005 .XXX ± ANGLES	TROMPETER RF connectivity	BJ893	
DWN DJK 6/26/89	MATERIAL	CODE IDENT 14949	DRAWING NO. 3-0263
CHK DJK 7/14/89			REV C
ENGR DJK 7/14/89	SCALE 2/1	DATE 8/24/84	SHEET 1 OF 2
APPR DJK 7/14/89	NEXT ASSY		