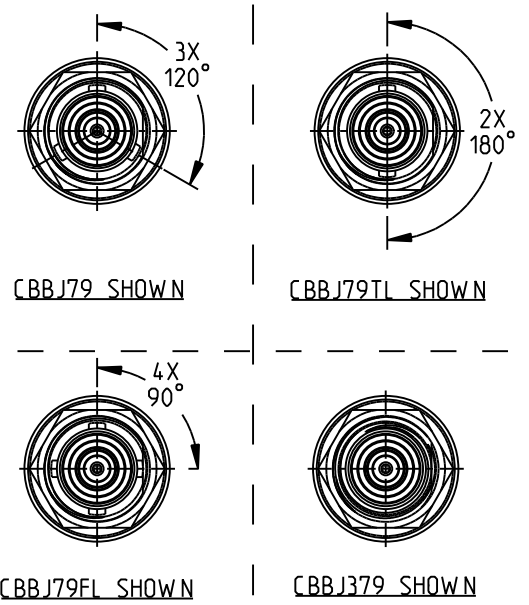
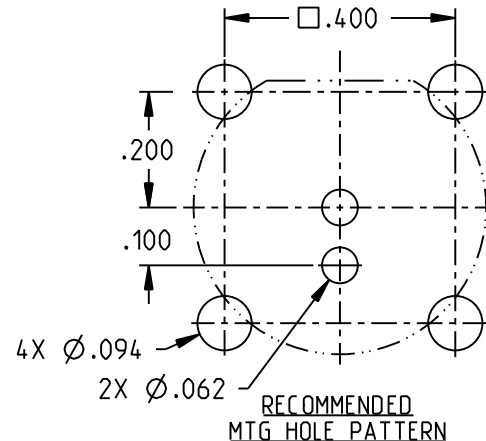
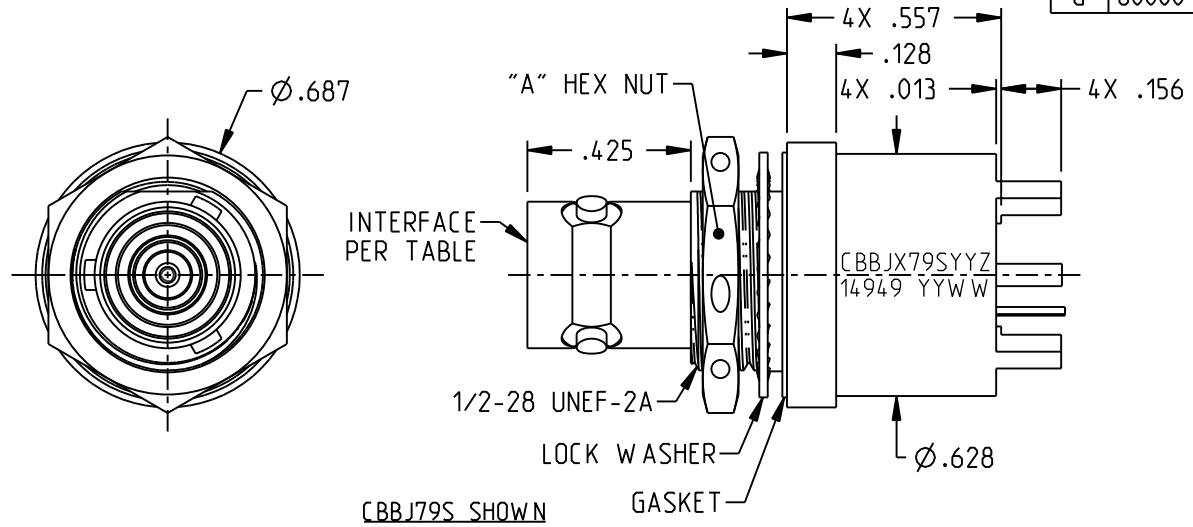


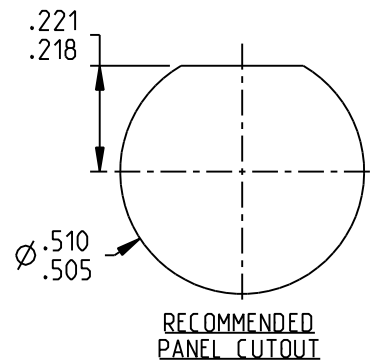
MODEL NUMBER	"A"	INTERFACE PER	SH
CBBJ79	9/16	MIL-STD-348 FIG. 201-2	1
CBBJ79S	5/8 w/3X Ø.047 SAFETY WIRE HOLES		
CBBJ79TL	9/16		
CBBJ79TLS	5/8 w/3X Ø.047 SAFETY WIRE HOLES		
CBBJ79FL	9/16		
CBBJ79FLS	5/8 w/3X Ø.047 SAFETY WIRE HOLES		
CBBJ379	9/16	MIL-STD-348 FIG. 202-2	2
CBBJ379S	5/8 w/3X Ø.047 SAFETY WIRE HOLES		
CBBJ79TL-1M	9/16		
CBBJ79TL-1M	9/16	MIL-STD-348 FIG. 201-2	
CBBJ379-1M	9/16		

REV	ECO	DATE
E	57271	6/14/2019
F	57982	6/15/2021
G	60000	2/6/2025



NOTES: UNLESS OTHERWISE SPECIFIED.

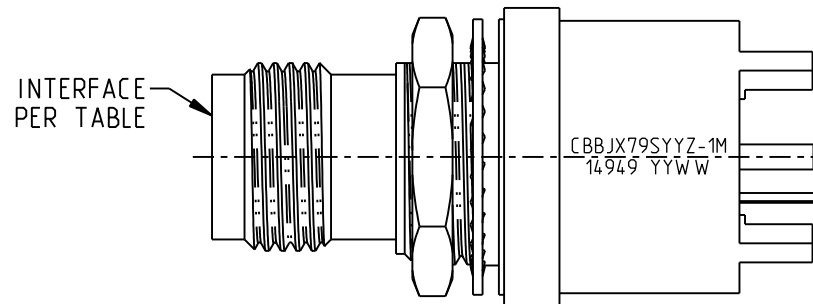
- MATERIAL & FINISH:
 - BODY: TIN PLATED BRASS
 - INSULATOR & DIELECTRIC: PTFE (TEFLON)
 - INTERMEDIATE CONTACT: GOLD PLATED BRASS
 - CENTER CONTACT: GOLD PLATED BERYLLIUM COPPER
 - GASKET: SILICONE RUBBER
 - MOUNTING HARDWARE: GOLD PLATED COPPER ALLOY
- ELECTRICAL:
 - FREQUENCY (MAX): 500 MHZ
 - IMPEDANCE: NON-CONSTANT
- PANEL NUT TORQUE (MAX): 35 INCH POUNDS
- PANEL THICKNESS (MAX): .109



<p>NOTICE: The information in this drawing is PROPRIETARY and must not be used without the permission of Cinch Connectivity Solutions. It may contain data whose export is restricted. Verify status prior to exporting.</p> <p>INTERPRET DRAWING IN ACCORDANCE WITH ASME Y14.5-2018</p>	Model No:	CBBJX79YYZ-AA	TROMPETER		
	RoHS2	<input checked="" type="checkbox"/>	2015/063/EU	Title:	TRB/TRT BULKHEAD CIRCUIT BOARD JACK
	UNLESS OTHERWISE SPECIFIED UNITS: INCH	.XX ±.02	.XXX ±.010	ENGINEER:	C. MONAHAN
	ANGLES ±2°	Date:	2/6/2025	3RD ANGLE PROJECTION	Workmanship Std: TFS-4
	Cage Code	14949	Drawing No.	3-0272	REV. G
	Size	A	DO NOT SCALE DRAWING	Sheet	1 OF 2

MODEL NUMBER	SH
CBBJ79	1
CBBJ79S	
CBBJ79TL	
CBBJ79TLS	
CBBJ79FL	
CBBJ79FLS	
CBBJ379	
CBBJ379S	
CBBJ79-1M	2
CBBJ79TL-1M	
CBBJ379-1M	

REV	ECO	DATE
E	57271	6/14/2019
F	57982	6/15/2021
G	60000	2/6/2025



CBBJ379-1M SHOWN

NOTES: UNLESS OTHERWISE SPECIFIED.

1. MATERIAL & FINISH:

1.1 CBBJ79TL-1M & CBBJ379-1M:

1.1.1 BODY: SILVER PLATED BRASS

1.1.2 INSULATOR & DIELECTRIC: PTFE (TEFLON)

1.1.3 INTERMEDIATE CONTACT: GOLD PLATED BRASS

1.1.4 CENTER CONTACT: GOLD PLATED BERYLLIUM COPPER

1.1.5 GASKET: SILICONE RUBBER

1.1.6 MOUNTING HARDWARE: SILVER PLATED COPPER ALLOY

<p>NOTICE: The information in this drawing is PROPRIETARY and must not be used without the permission of Cinch Connectivity Solutions. It may contain data whose export is restricted. Verify status prior to exporting.</p> <p>INTERPRET DRAWING IN ACCORDANCE WITH ASME Y14.5-2018</p>	Model No:	CBBJX79YYZ-AA	Title: TROMPETER		
	RoHS2 <input checked="" type="checkbox"/> 2015/863/EU	Cage Code	14949	Title: TRB/TRT BULKHEAD CIRCUIT BOARD JACK	
	UNLESS OTHERWISE SPECIFIED UNITS: INCH	3RD ANGLE PROJECTION		Drawing No.	REV.
	.XX ±.02 .XXX ±.010 ANGLES ±2°	ENGINEER:	C. MONAHAN	3-0272	G
	Date:	2/6/2025	Size A	DO NOT SCALE DRAWING	Workmanship Sid: TFS-4
					Sheet: 2 OF 2