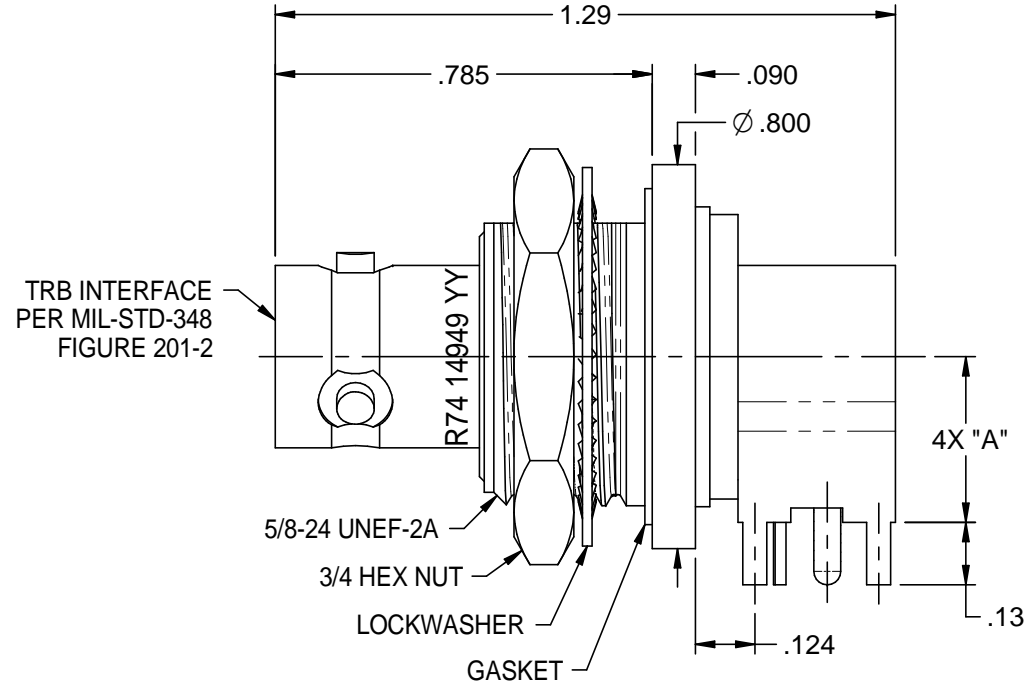
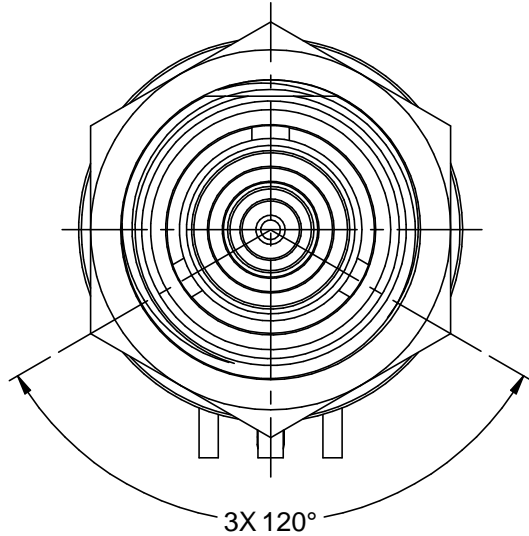
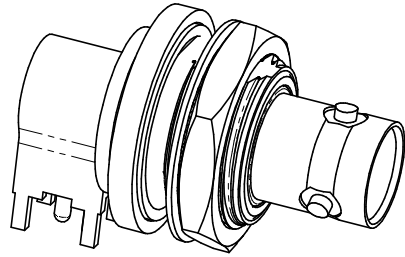


MODEL NO.	"A"	"B"
CBBJR74	.345	.063
CBBJR74A	.445	.070



CBBJR74 SHOWN

NOTES: UNLESS OTHERWISE SPECIFIED.

1. MATERIALS AND FINISH:

- 1.1 BODY: TIN PLATED BRASS
- 1.2 OUTER INSULATOR: PTFE (TEFLON)
- 1.3 INTERMEDIATE CONTACT: GOLD PLATED BRASS
- 1.4 DIELECTRIC: PTFE (TEFLON)
- 1.5 CENTER CONTACT: GOLD PLATED BERYLLIUM COPPER
- 1.6 MOUNTING HARDWARE: TIN PLATED COPPER ALLOY

2. ELECTRICAL:

- 2.1 IMPEDANCE: NON-CONSISTANT
- 2.2 FREQUENCY (MAX): 500 MHz

3. PANEL THICKNESS (MAX): .140

4. PANEL NUT TORQUE (MAX): 40 INCH POUNDS.

<p>RECOMMENDED PANEL CUTOUT</p>	<p>RECOMMENDED MTG HOLE PATTERN</p>	TROMPETER	
		<p>3RD ANGLE PROJECTION</p> <p>RoHS2 <input checked="" type="checkbox"/> 2011/65/EU</p> <p>Model No. CBBJR74X</p>	
<p>This PROPRIETARY Document is property of Cinch Connectivity Solutions. It is confidential in nature, non-transferable, and issued with the clear understanding that it is not to be traded or copied without permission and is returnable upon demand.</p> <p>INTERPRET DRAWING IN ACCORDANCE WITH ASME Y14.5-2009.</p>		<p>UNLESS OTHERWISE SPECIFIED</p> <p>UNITS: INCH</p> <p>.XX ±.02</p> <p>.XXX ±.005</p> <p>ANGLES ±2°</p>	<p>Size A</p> <p>DO NOT SCALE DRAWING</p> <p>Date: 9/16/2014</p> <p>Sheet 1 of 1</p>