

DRG # H 1
 ENG SIZE C
 DATA CONTAINED IN THIS DOCUMENT IS PROPRIETARY TO TROMPETER ELECTRONICS INC. AND SHALL NOT BE DISCLOSED, COPIED OR USED FOR REPRODUCTION OR MANUFACTURE WITHOUT EXPRESS WRITTEN PERMISSION.

| REVISONS | | | 3-0135 | SH 1 | |
|----------|-------|---|--------|--------------------|----------|
| REV | EO | DESCRIPTION | DWN | APPROVED | DATE |
| B | 10050 | PICTORIALLY CHANGED 1.00 FLARED SEALING SLEEVE TO STRAIGHT (1.25) LONG SEALING SLEEVE; GENERAL UPDATE | DKC | <i>[Signature]</i> | 12/20/92 |

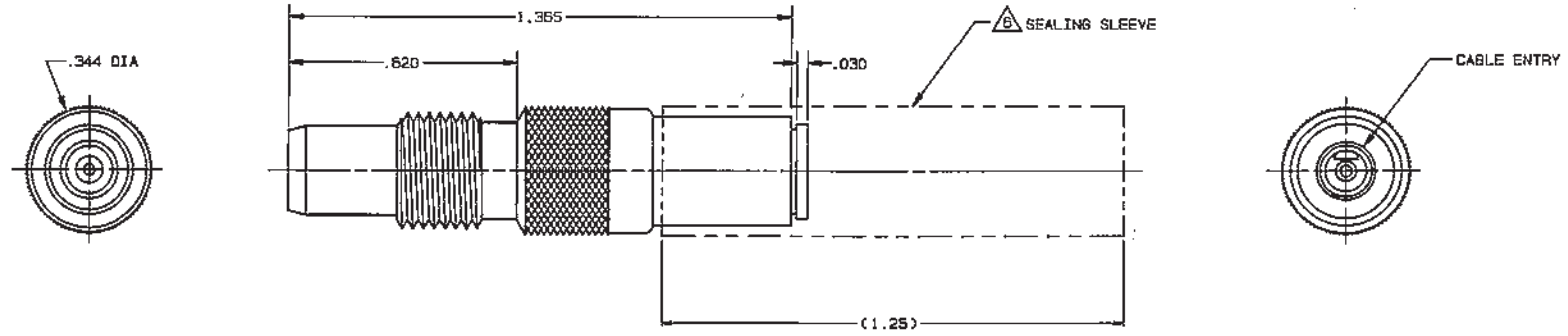
TABLE 1

| DASH NO | MODEL NO | CENTER CONTACT/INTMO CONTACT TYPE |
|---------|------------|-----------------------------------|
| -1 | CJ3450AC P | SOCKET/PIN |
| -2 | CJ3450AC S | PIN/SOCKET |

TABLE 2

| CABLE GROUP NO | CABLES ACCOMMODATED | ASSEMBLE PER |
|----------------|------------------------|--------------|
| -201 | M17-176-00002 | TAI-162 |
| -202 | TWC-78-1, TROMPETER | |
| -203 | TWC-124-1A, TROMPETER | |
| -204 | 10602, RAYCHEM | |
| -205 | TWAC-78-1F2, TROMPETER | |
| -206 | 7826DD130, RAYCHEM | |
| -208 | 202-3927, MICRODOT | |
| -209 | 202-3942, MICRODOT | |
| -212 | 2524E0114, RAYCHEM | |
| -217 | GC875TH24H GRUMMAN | |
| -218 | EPD22188B, RAYCHEM | |
| -219 | 2526D1114, RAYCHEM | |
| -220 | GC875HR1, GRUMMAN | |
| -221 | 10614, RAYCHEM | |
| -222 | 10613, RAYCHEM | |
| -223 | HMS2-1149, HUGHES | |

| INCH | MM |
|-------|-------|
| .010 | 0.25 |
| .030 | 0.76 |
| .05 | 1.52 |
| .255 | 6.48 |
| .344 | 8.74 |
| .620 | 15.75 |
| 1.25 | 31.75 |
| 1.365 | 34.67 |



5. EXAMPLE OF COMPLETE MODEL NO:
CJ3450AC P-201
 BASIC MODEL NO (SEE TABLE 1) — CABLE GROUP NO (SEE TABLE 2)
 — CENTER & INTERMEDIATE CONTACT TYPE (SEE TABLE 1)

4. EXAMPLE OF COMPLETE PART NO:
3-0135-1-201
 BASIC PART NO — CABLE GROUP NO (SEE TABLE 2)
 — DASH NO (SEE TABLE 1)



RECOMMENDED
HEX CRIMP

3. CONCENTRIC TWINAX 4 PIECE ASSY, FULL CRIMP NONINSULATED BULKHEAD MOUNT RECEPTACLE, SOCKET CENTER CONTACT AND PIN INTERMEDIATE CONTACT OR PIN CENTER CONTACT AND SOCKET INTERMEDIATE CONTACT

2. FINISH: TFS-1U

1. ALL DIM ARE IN INCHES

(B) SEALING SLEEVE AND CRIMP BUSHING TO BE SUPPLIED LOOSE WITH EACH CONNECTOR

| QTY | DESCRIPTION | PART NUMBER | ITEM |
|-------------------------|-------------------------|-------------|------------------------------------|
| TO, UNLESS SPECIFIED | | | |
| .xx ± .05 | | | |
| .xxx ± .010 | | | |
| .XXXX ANGLE | | | |
| DWN DKC 11-2-92 | MATERIAL | CODE IDENT | DRAWING NO. |
| CHK <i>[Signature]</i> | | 14948 | 3-0135 |
| ENGR <i>[Signature]</i> | | | B |
| NEXT ASSY | APPR <i>[Signature]</i> | 12/28/92 | SCALE 4/1 DATE 3/6/89 SHEET 1 OF 2 |