

# RED INDICATES ORIGINAL

DATA CONTAINED IN THIS DOCUMENT IS PROPRIETARY TO TROMPETER ELECTRONICS INC. AND SHALL NOT BE DISCLOSED, COPIED OR USED FOR REPRODUCTION OR MANUFACTURE WITHOUT EXPRESS WRITTEN PERMISSION.

REVISIONS			3-0056		SH 1
REV	EQ	DESCRIPTION	DWN	APPROVED	DATE
P	11455	FDR CHANGES SEE ECD	DKC	<i>BM</i>	1/19/96

TABLE 1

DASH NO	CABLES ACCOMMODATED	A DIM	B DIM	C HEX	D FLATS	E DIA	F DIA MAX	CABLE ENTRY DIA	ASSEMBLE PER
-7	TRC-50-2 TRC-75-2	1.314	.096	.438	.500	.500	.593	.274	TAI-189
-8	8227 BELDEN	1.648	.130	.825	.688	.750	.775	.345	TAI-103
-9	TWC-78-2 TWC-124-2	1.314	.096	.438	.500	.500	.593	.285	TAI-102
-10	RG-22 754E AT & T							.455	
-11	780A AT & T							.347	TAI-103
-12	16 PEVL AT & T VJ-AL GENERAL	1.648	.130	.825	.688	.750	.775	.485	TAI-128
-13	TRF-50 TINES							.362	TAI-129
-13A	8232 BELDEN							.352	TAI-165
-14	8233 BELDEN							.480	TAI-129
-23	250-3884 MICRODOT							.193	TAI-189
-24	202-3934 MICRODOT							.191	TAI-102
-24A	8530AS117 RAYCHEM							.200	TAI-189
-25	T-43M GENERAL							.285	TAI-102
-25A	5021H5331 RAYCHEM							.191	TAI-189
-25	7028A551B RAYCHEM							.191	TAI-189
-27	T187PS.0218EN WJVEN 202-3927 MICRODOT 202-3942 MICRODOT							.145	
-29	TWC-78-1/TWC-124-1A	1.314	.096	.438	.500	.500	.593	.191	TAI-102
-30	781A AT & T 8441 BELDEN							.235	
-32	TRC-50-1							.191	
-33	TRC-75-1							.217	
-42	21-204 ESSEX 4463 CONSOLIDATED							.300	TAI-189
-43	250-4044/250-4045 293-3930 MICRODOT							.200	
-45	M27500-22TE2T14 1100-66F STANDARD							.193	TAI-102
-46	8880 BELDEN	1.648	.130	.825	.688	.750	.775	.475	TAI-103
-47	M17/176-00002							.184	TAI-102
-49	TWAC-78-1F2	1.314	.096	.438	.500	.500	.593	.132	TAI-102
-54	89207 BELDEN	1.648	.130	.825	.688	.750	.775	.323	TAI-103
-55	89272 BELDEN							.250	TAI-102
-56	6C875G1, GRUHMANN							.191	TAI-189
-57	6C875G1, GRUHMANN							.191	TAI-189
-58	6C875TR24H, GRUHMANN	1.314	.096	.438	.500	.500	.593	.189	TAI-102
-59	6C875LN1, GRUHMANN							.189	TAI-102
-60	M17/177 THERMATICS 380-10045 BOEING							.217	TAI-189
-64	7528A5314, RAYCHEM							.183	

INCH	MM
.005	0.13
.096	2.44
.125	3.18
.130	3.30
.132	3.35
.145	3.68
.164	4.17
.183	4.65
.191	4.85
.198	5.03
.200	5.08
.217	5.51
.235	5.97
.250	6.35
.274	6.98
.285	7.24
.300	7.62
.323	8.20
.345	8.78
.347	8.81
.352	8.94
.362	9.19
.438	11.13
.455	11.56
.475	12.07
.485	12.32
.490	12.45
.500	12.70
.593	15.06
.688	17.49
.750	19.05
.775	19.68
1.314	33.38
1.648	41.85
1.846	46.89

FIG 1  
- 9 SHOWN

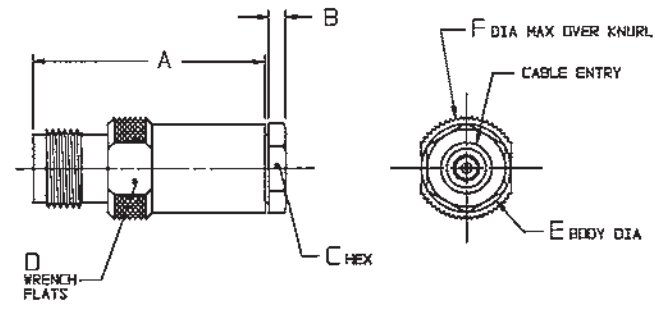


FIG 2  
- 9 SHOWN

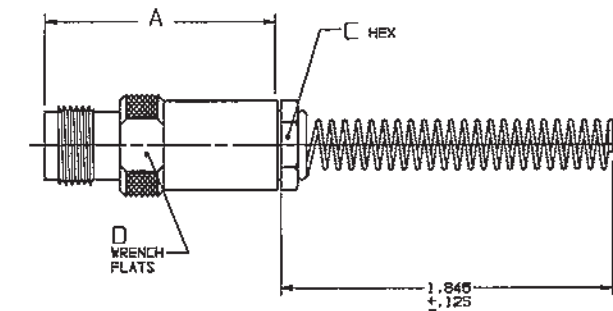


TABLE 2

MILITARY PART NO (PIN)	MILITARY CABLE PART NO	TROMPETER P/N (REF ONLY)
M49142/11-0001	M17/134-00001	CJ370-7
M49142/11-0002	M17/134-00002	CJ370-7
M49142/11-0006	M17/176-00002	CJ370-47
M49142/11-0009	M17/177-00001	CJ370-80

- WHEN CONNECTOR IS SUPPLIED TO MILITARY PART NO. (SEE TABLE 2):
- ALL PARTS NORMALLY PLATED TFS-1A OR TFS-1U (NICKEL) ARE TO BE PLATED TFS-1M (SILVER)
  - MARK PART WITH MILITARY PIN (SEE TABLE) AND "14948"
  - QUALITY CONFORMANCE INSPECTION SHALL BE PER MIL-C-49142 SECTION 4.5

IF BEND RELIEF SPRING REQD (FIG 2) ADD SUFFIX "BR" TO MODEL NO (NOT AVAILABLE WITH CABLE GROUPS -8, -10, -11, -12, -13, -14, -46 & -54)

- CONCENTRIC TWINAX/TRIAX TRT CABLE RECEPTACLE
- FINISH: TFS-1A (NICKEL)
- ALL DIM ARE IN INCHES

6. EXAMPLE OF COMPLETE MODEL NO.  
 CJ370 - 7  
 BASIC MODEL NO.      DASH NO.

QTY	DESCRIPTION	PART NUMBER	ITEM
TO UNLESS SPECIFIED			
.XX ± .005			
.XXX ± .0002			
ANGLES			
DWN AAH 1-13-96	MATERIAL	CODE 108T	DRAWING NO.
CHK <i>BM</i> 1-18-96			3-0056
ENGR			REV P
APPR <i>FZ</i> 1/19/96	SCALE 2/1	DATE 4-24-91	SHEET 1 OF 2