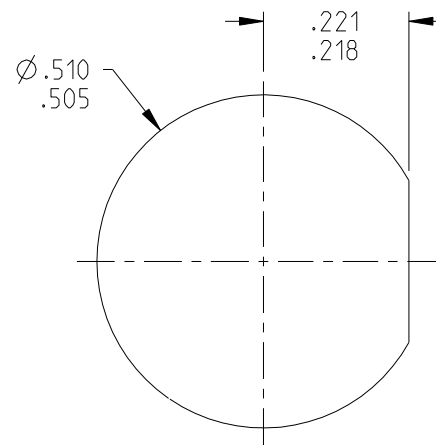
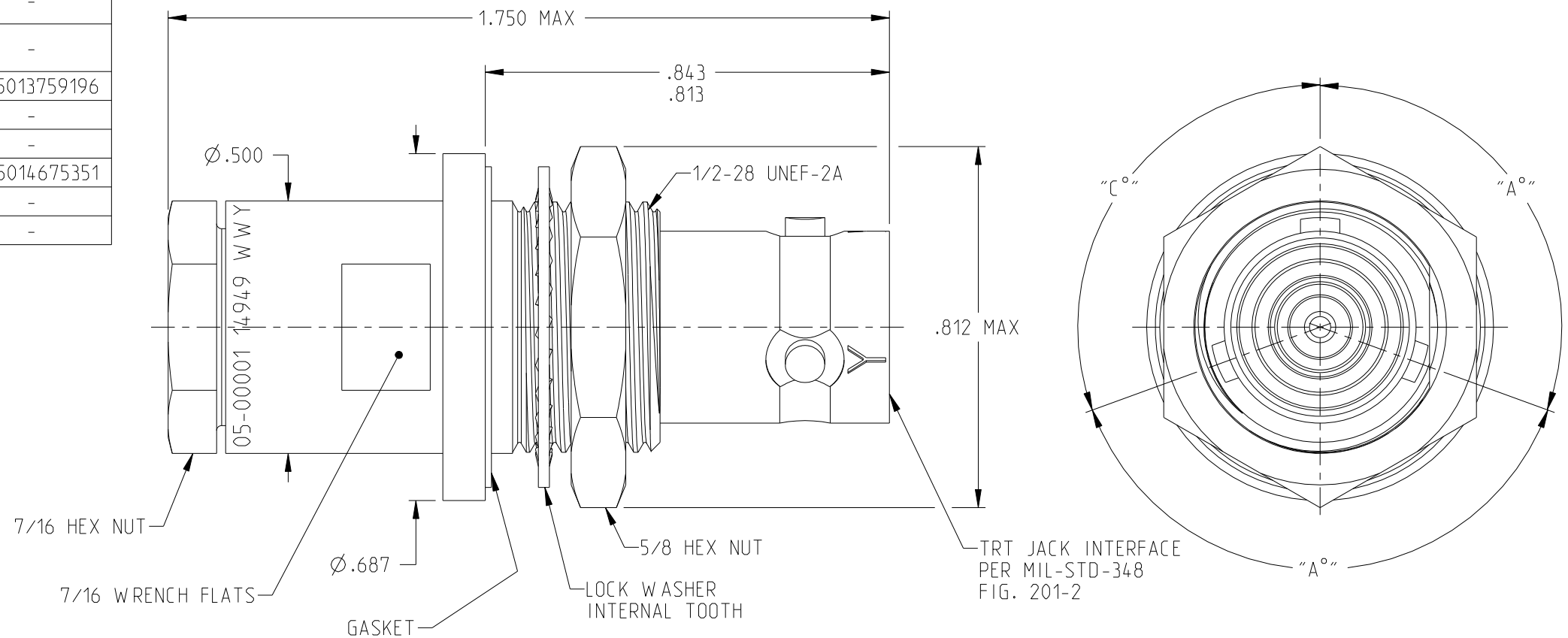
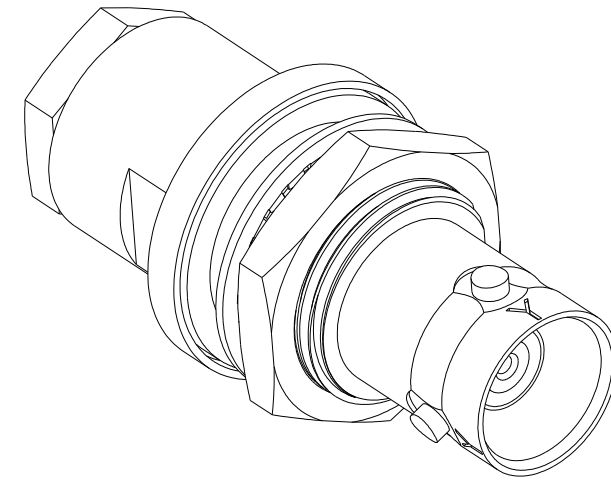


MILITARY PART NUMBER	MILITARY CABLE NUMBER	"A°"	"B°"	"C°"	ASSEMBLY PER	NSN #
M49142/05-0001	M17/134-00001 M17/134-00003	120	120	120	TAI-189	5935013297062
M49142/05-0101	M17/134-00001 M17/134-00003	110	140	110	TAI-189	-
M49142/05-0201	M17/134-00001 M17/134-00003	135	135	90	TAI-189	-
M49142/05-0002	M17/134-00002 M17/134-00004	120	120	120	TAI-189	5935012737934
M49142/05-0102	M17/134-00002 M17/134-00004	110	140	110	TAI-189	-
M49142/05-0202	M17/134-00002 M17/134-00004	135	135	90	TAI-189	-
M49142/05-0005	M17/116-RG307	120	120	120	TAI-250	5935014238648
M49142/05-0105	M17/116-RG307	110	140	110	TAI-250	-
M49142/05-0205	M17/116-RG307	135	135	90	TAI-250	-
M49142/05-0006	M17/116-RG307	120	120	120	TAI-250	-
M49142/05-0106	M17/116-RG307	110	140	110	TAI-250	-
M49142/05-0206	M17/116-RG307	135	135	190	TAI-250	-
M49142/05-0007	M17/45-RG108 M17/186-00008	120	120	120	TAI-102	5935014476152
M49142/05-0107	M17/45-RG108 M17/186-00008	110	140	110	TAI-102	-
M49142/05-0207	M17/45-RG108 M17/186-00008	135	135	90	TAI-102	-
M49142/05-0008	M17/176-00002	120	120	120	TAI-102	5935013759196
M49142/05-0108	M17/176-00002	110	140	110	TAI-102	-
M49142/05-0208	M17/176-00002	135	135	90	TAI-102	-
M49142/05-0009	M17/177-00001	120	120	120	TAI-189	5935014675351
M49142/05-0109	M17/177-00001	110	140	110	TAI-189	-
M49142/05-0209	M17/177-00001	135	135	90	TAI-189	-

REV	ECO	DATE
AL	53737	10/13/2011
AM	57959	7/15/2021
AN	58320	8/1/2022



RECOMMENDED
PANEL CUTOUT



NOTES: UNLESS OTHERWISE SPECIFIED.

1. MATERIAL & FINISH:

- 1.1 BODY, CRIMP NUT & CONE: SILVER PLATED BRASS
- 1.2 INSULATOR & DIELECTRIC: PTFE (TEFLON)
- 1.3 INTERMEDIATE CONTACT: GOLD PLATED BRASS
- 1.4 CENTER CONTACT: GOLD PLATED BERYLLIUM COPPER
- 1.5 MOUNTING HARDWARE: SILVER PLATED COPPER ALLOY
- 1.6 GASKET: SILICONE RUBBER

2. ELECTRICAL:

- 2.1 FREQUENCY (MAX): 500 MHz
- 2.2 IMPEDANCE: NON-CONSTANT

3. PANEL NUT TORQUE (MAX): 35 INCH POUNDS

4. PANEL THICKNESS (MAX): .160

	Model No:	M49142/05-0X0X	Title: TROMPETER	
	RoHS2 2015/863/EU	Cage Code: 14949	Title: TRB JACK, CABLED, REAR BLKHD MT, WRENCH CRIMP, M49142/05	
<small>NOTICE: The information in this drawing is PROPRIETARY and must not be used without the permission of Cinch Connectivity Solutions. It may contain data whose export is restricted. Verify status prior to exporting.</small>	3RD ANGLE PROJECTION	ENGINEER: C. MONAHAN	Drawing No.:	C_3-0332
<small>INTERPRET DRAWING IN ACCORDANCE WITH ASME Y14.5-2018</small>	UNLESS OTHERWISE SPECIFIED UNITS: INCH	Date: 8/1/2022	Size: B	DO NOT SCALE DRAWING
	ANGLES ±2°		Workmanship Std: TFS-4	Sheet: 1 OF 1
				REV: AN