

RED INDICATES ORIGINAL

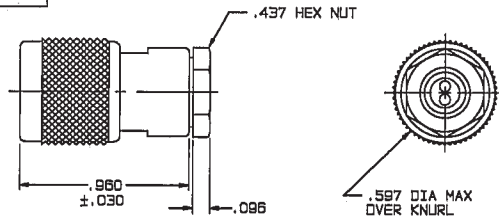
DATA CONTAINED IN THIS DOCUMENT IS PROPRIETARY TO TROMPETER ELECTRONICS INC. AND SHALL NOT BE DISCLOSED, COPIED OR USED FOR PRODUCTION OR MANUFACTURE WITHOUT EXPRESS WRITTEN PERMISSION.

REV		ED	DESCRIPTION	DWN	APPROVED	DATE
A		12450	UPDATED DWG SEE ECO	R L	MM	7/12/98

2-0028 SH 1

DASH NO	CABLES ACCOMMODATED	ASSEMBLY PER
-8	B227 BELDEN	TAI-140
-9	TWC-7B-2/TWC-24-2	TAI-121
-10	RG-22/754E W.E.CO.	TAI-140
-11	780 W.E.CO.	
-12	16 PEVL W.E.CO./VI/AL GENERAL	TAI-139
-25	T-43M GENERAL	TAI-121
-27	202-3927 MICRODOT	
-29	TWC-7B-1/TWC-24-1A	
-46	9960 BELDEN	
-47	M17/176-00002	TAI-121
-49	TWAC-7B-1P2	
-58	51-05091, CHAMPLAIN GCB75TM24H, GRUMMAN	

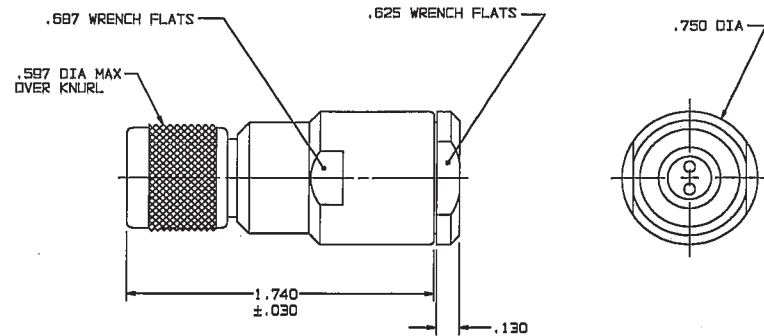
FIG 1 Δ



-9 SHOWN

-9, -25, -27, -29, -47, -49 & -58

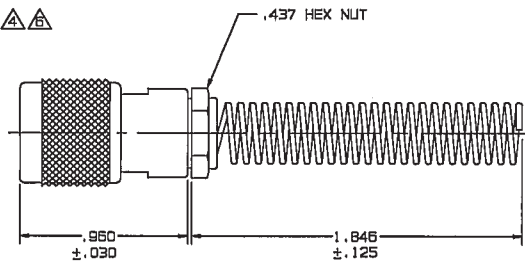
FIG 2 Δ



-8 SHOWN

-8, -10, -11, -12 & -46

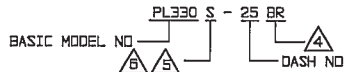
FIG 3 $\Delta \Delta$



-9 BR SHOWN

-9, -25, -27, -29, -47, -49 & -58

7. EXAMPLE OF COMPLETE MODEL NO:



Δ IF SAFETY WIRE & BEND RELIEF SPRING REQD ADD SUFFIX "SBR" TO MODEL NO (NOT AVAILABLE WITH CABLE GROUPS -8, -10, -11, -12 & -46)

Δ IF SAFETY WIRE REQD ADD SUFFIX "S" TO MODEL NO PL330S

Δ IF BEND RELIEF SPRING REQD (SEE FIG 3) ADD SUFFIX "BR" TO DASH NO (NOT AVAILABLE WITH CABLE GROUPS -8, -10, -11, -12 & -46)

3. TWINAXIAL "TWTNC" TYPE, TWO PIN CABLE PLUG,

2. FINISH: TFS-1A (NICKEL)

1. ALL DIM ARE IN INCHES

INCH	MM
.005	0.13
.030	0.76
.086	2.44
.130	3.30
.437	11.10
.625	15.88
.650	16.51
.687	17.45
.750	19.05
.960	24.38
1.740	44.20
1.846	46.89

TOL UNLESS SPECIFIED		DESCRIPTION		PART NUMBER		ITEM
.XX	±			PL330S/BR		A
.XXX	±.005					
.XXXX		DWN	R L	MATERIAL	CODE IDENT	DRAWING NO.
ANGLES:		CHK	MM		14949	2-0028
		ENGR				
NEXT ASSY	APPR	MM	7/12/98	SCALE 4/1	DATE 2/4/85	SHEET 1 OF 2