

DASH NO	CABLES ACCOMMODATED	A DIM	B DIM	C FLATS	D FLATS	E DIA	ASSEMBLE PER										
-7	TRC-50-2 TRC-75-2	1.135	.096	.438	.438	.500	TAI-189										
-8	8227, BELDEN	1.716	.130	.625	.688	.750	TAI-103										
-9	TWC-78-2 TWC-124-2	1.135	.096	.438	.438	.500	TAI-102										
-A9	BL782, TIMES BL982, TIMES BL1242, TIMES																
-10	RG-22 754E, AT&T																
-11	760A, AT&T	1.716	.130	.625	.688	.750	TAI-103										
-12	16 PEVL, AT&T V1-AL, GENERAL						TAI-128										
-13	TRF-59, TIMES						TAI-129										
-13A	8232, BELDEN						TAI-165										
-14	8233, BELDEN						TAI-129										
-23	250-3884, MICRODOT						TAI-189										
-24	202-3934, MICRODOT						TAI-102										
-24A	9530A5117, RAYCHEM						TAI-189										
-25	T-43M, GENERAL						TAI-102										
-25A	5021H5331, RAYCHEM						TAI-189										
-26	7028A5518, RAYCHEM	1.135	.096	.438	.438	.500	TAI-102										
-27	T19TPSJ2619EN, WOVEN 202-3927, MICRODOT 202-3942, MICRODOT																
-29	TWC-78-1/TWC-124-1A																
-30	761A, AT&T 8441, BELDEN	1.716	.130	.625	.688	.750	TAI-103										
-32	TRC-50-1						1.135	.096	.438	.438	.500	TAI-102					
-33	TRC-75-1																
-42	21-204, ESSEX 4463, CONSOLIDATED						1.716	.130	.625	.688	.750	TAI-189					
-43	250-4044/250-4045 293-3930, MICRODOT																
-45	M27500-22TE2T14 1100-66F, STANDARD						1.135	.096	.438	.438	.500	TAI-102					
-46	9860, BELDEN											TAI-103					
-47	M17/176-00002											1.716	.130	.625	.688	.750	TAI-102
-49	TWAC-78-1F2																
-54	89207, BELDEN											1.135	.096	.438	.438	.500	TAI-189
-55	89272, BELDEN																
-56	GC875GC1, GRUMMAN	TAI-102															
-57	GC875GB1, GRUMMAN	TAI-189															
-58	GC875TM24H, GRUMMAN	TAI-102															
-59	GC875LN1, GRUMMAN	TAI-189															
-60	M17/177, THERMATICS 380-10045, BOEING	1.716	.130	.625	.688	.750	TAI-102										
-64	7528A5314, RAYCHEM																

DATA CONTAINED IN THIS DOCUMENT IS PROPRIETARY TO TROMPETER ELECTRONICS INC. AND SHALL NOT BE DISCLOSED, COPIED OR USED FOR PROCUREMENT OR MANUFACTURE WITHOUT EXPRESS WRITTEN PERMISSION OF TROMPETER ELECTRONICS INC.

REVISIONS		310-0025	SH 1
REV	DESCRIPTION	DATE	APPROVED
U	REVISED PER ECD 14778	11-5-02	RAM

CABLE ENTRY			
DASH NO	DIA	DASH NO	DIA
-7	.274	-29	.191
-8	.345	-30	.235
-9	.285	-32	.191
-A9	.285	-33	.217
-10	.455	-42	.300
-11	.347	-43	.200
-12	.485	-45	.183
-13	.362	-46	.475
-13A	.352	-47	.164
-14	.490	-49	.132
-23	.183	-54	.323
-24	.191	-55	.250
-24A	.200	-56	.191
-25	.285	-57	.191
-25A	.285	-58	.198
-26	.191	-59	.198
-27	.145	-60	.217
		-64	.183

FIG 1  $\Delta$   
-9 SHOWN

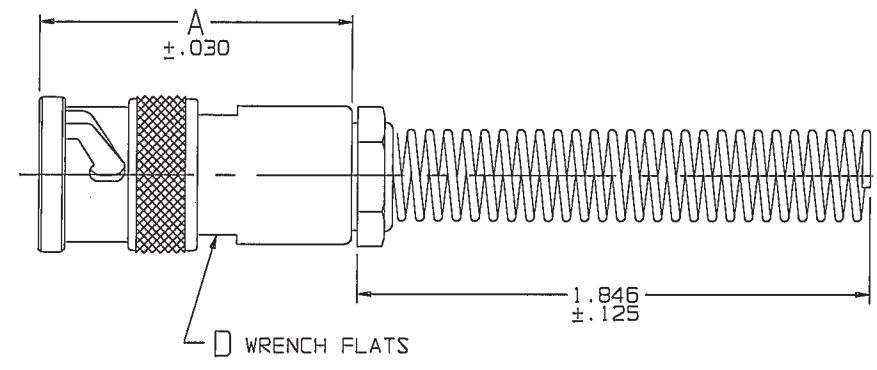
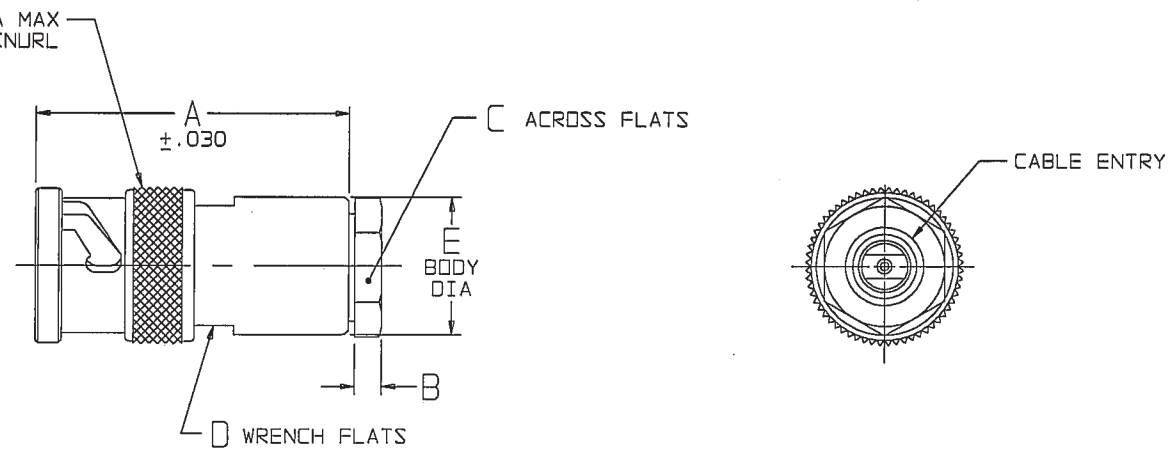
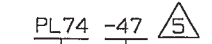


FIG 2  
-9 SHOWN



RED INDICATES ORIGINAL

6. EXAMPLE OF A COMPLETE MODEL NO.



BASIC MODEL NO. DASH NO.

$\Delta$  IF BEND RELIEF SPRING REQD (SEE FIG 1)  
ADD SUFFIX "BR" TO MODEL NO  
(NOT AVAILABLE WITH CABLE GROUPS -8, -10, -11,  
-12, -13, -13A, -14, -46 & -54)

$\Delta$  CLAMP NUT OMITTED

$\Delta$  2-LUG BAYONET CONCENTRIC TWINAX/TRIAX TRB CABLE PLUG

2. FINISH: TFS-1A (NICKEL)

1. ALL DIM ARE IN INCHES

TYPE $\Delta$	DASH NO/CABLE GROUP																
TWINAX	-8	-9	-A9	-10	-11	-12	-24	-25	-27	-29	-30	-45	-46	-47	-49	-54	-55
TRIAx	-7	-13	-13A	-14	-23	-24A	-25A	-26	-32	-33	-42	-43	-56	-57	-59	-60	-64
QUADRAx	-58																

INTERPRET DRAWING PER MIL-STD-100 DIMENSIONS ARE IN INCHES AND INCLUDE FINISH THICKNESS UNLESS OTHERWISE SPECIFIED	TOL: UNLESS SPECIFIED .XX .XXX ±.005 .XXXX ANGLE		
DRAWN AAH DATE 11-4-02 CHECKED [Signature] DATE 11-5-02 QUALITY [Signature] DATE 11-5-02 HANDLE [Signature] DATE 11-5-02 APPROVED [Signature] DATE 11-4-02	MATERIAL:		TITLE: PL74/PL74BR
305-0515 NEXT ASSY	CAD FILE NO. 310-0025U	DD NOT SCALE DWG	SIZE CAGE CODE DRAWING NO. REV. <b>B 14949</b> 310-0025 U SCALE NONE DATE: 3/27/78 SHEET 1C