

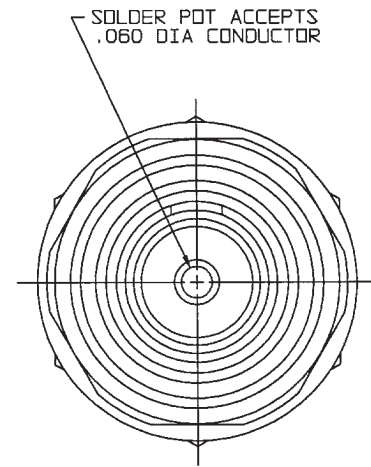
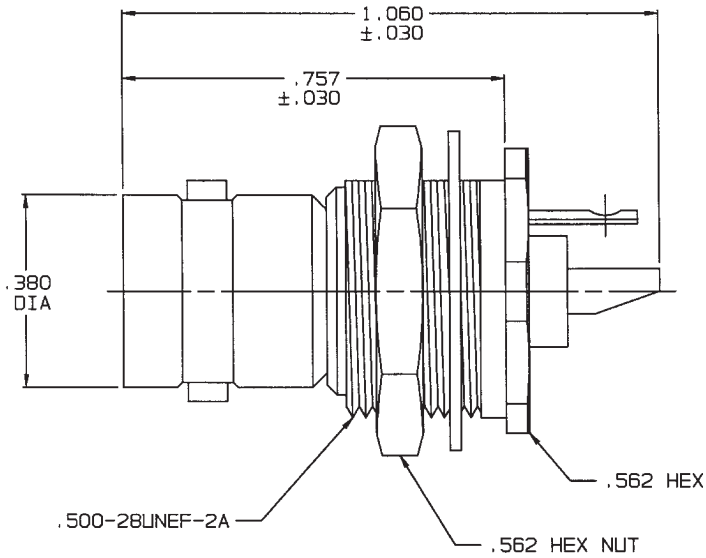
# RED INDICATES ORIGINAL

DATA CONTAINED IN THIS DOCUMENT IS PROPRIETARY TO TROMPETER ELECTRONICS INC. AND SHALL NOT BE DISCLOSED, COPIED OR USED FOR PROCUREMENT OR MANUFACTURE WITHOUT EXPRESS WRITTEN PERMISSION.

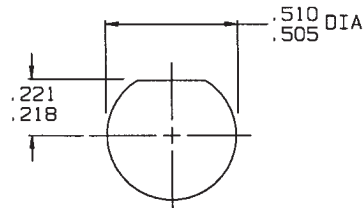
REV		ED	DESCRIPTION	DWN	APPROVED	DATE
D		13257	SH 2; ±.030 TOLERANCE REPLACES ±.003 ON .757 DIMENSION; SEE ECO	DKC	<i>[Signature]</i>	2/18/00

DASH NO	MODEL NO	IMPD OHMS
-1	BJ21	50
-2	UBJ21	75

INCH	MM
.005	0.13
.030	0.76
.060	1.52
.147	3.73
.218	5.54
.221	5.61
.380	9.65
.505	12.83
.510	12.95
.562	14.27
.757	19.23
1.060	26.92



-1 SHOWN



RECOMMENDED  
PANEL CUTOUT  
SCALE: 2/1

4. 50 & 75 OHM COAXIAL REAR MOUNT INSULATED 2-LLUG BNC TYPE SOLDER POT BULKHEAD RECEPTACLE
3. MAX PANEL THK: .147
2. FINISH: TFS-1A (NICKEL)
1. ALL DIM ARE IN INCHES

QTY	DESCRIPTION	PART NUMBER	ITEM
TOL UNLESS SPECIFIED .XX ± .XXX ± .005 .XXXX ± ANGLES ±	<b>TROMPETER</b> RF connectivity <small>a dcrh connectivity solutions brand</small>	BJ21 / UBJ21	
DWN DKC 2-3-00	MATERIAL	CODE IDENT	DRAWING NO.
CHK <i>[Signature]</i> 2/18/00		14949	1-0010
ENGR <i>[Signature]</i>	SCALE 4/1	DATE 5-12-82	REV D
APPR <i>[Signature]</i> 2/18/00	NEXT ASSY	SHEET	1C