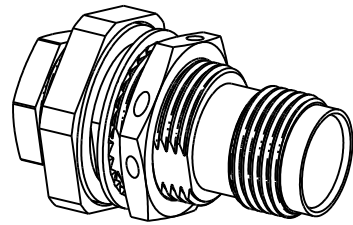
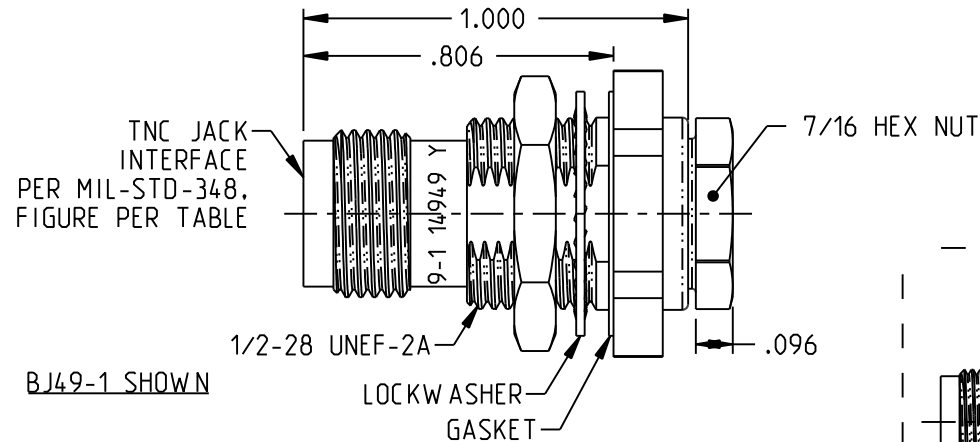
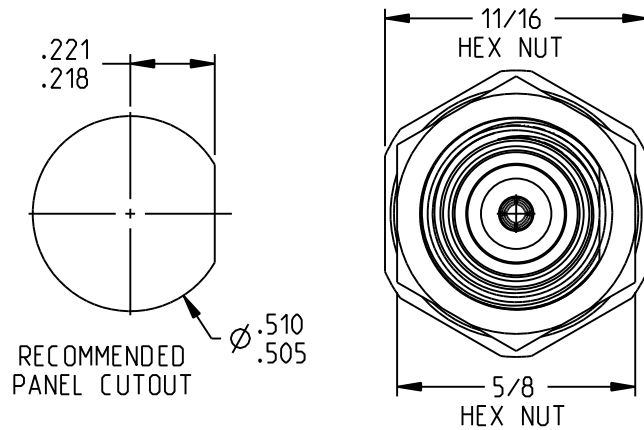


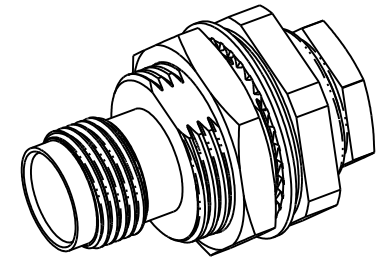
MODEL NUMBER	INTERFACE FIGURE	CABLE ACCOMMODATED
BJ49ZAA-1	313-2	RG-58
UBJ49ZAA-1	332-1	ESSEX 621-715
BJ49ZAA-2	313-2	RG-59
UBJ49ZAA-2	332-1	
BJ49ZAA-2A	313-2	BELDEN 8279
UBJ49ZAA-2A	332-1	
BJ49ZAA-2B	313-2	WECO 730A
UBJ49ZAA-2B	332-1	
BJ49ZAA-3	313-2	RG-223
UBJ49ZAA-3	332-1	
BJ49ZAA-3A	313-2	RG-55
UBJ49ZAA-3A	332-1	
BJ49ZAA-4	313-2	RG-122
UBJ49ZAA-4	332-1	
BJ49ZAA-5	313-2	RG-187
UBJ49ZAA-5	332-1	RG-187
BJ49ZAA-5A	313-2	RG-196
UBJ49ZAA-5A	332-1	
BJ49ZAA-5B	313-2	HEWLETT-PACKARD 8120-1170
UBJ49ZAA-5B	332-1	
BJ49ZAA-21	313-2	RG-303
UBJ49ZAA-21	332-1	RG-180
BJ49ZAA-22	313-2	
UBJ49ZAA-22	332-1	
BJ49ZAA-31	313-2	GRUMMAN GC875GP1
UBJ49ZAA-31	332-1	RG-187DS
BJ49ZAA-34	313-2	BELDEN 8228
UBJ49ZAA-34	332-1	
BJ49ZAA-36	313-2	MICRODOT 275-3991
UBJ49ZAA-36	332-1	AMPEX 616-569
BJ49ZAA-37	313-2	RAYCHEM 810
UBJ49ZAA-37	332-1	
BJ49ZAA-41	313-2	RG-304
UBJ49ZAA-41	332-1	BELDEN 9248
BJ49ZAA-44	313-2	BRAND-REX B749
UBJ49ZAA-44	332-1	GORE C06C032
BJ49ZAA-63	313-2	AT&T 734A
UBJ49ZAA-63	332-1	



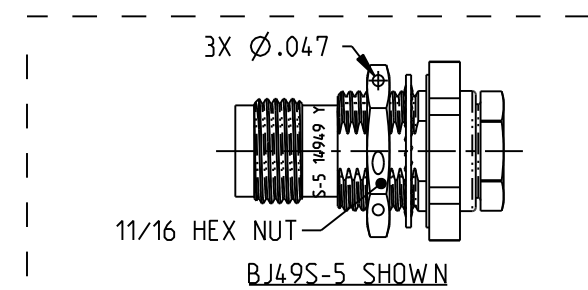
BJ49S-5 SHOWN



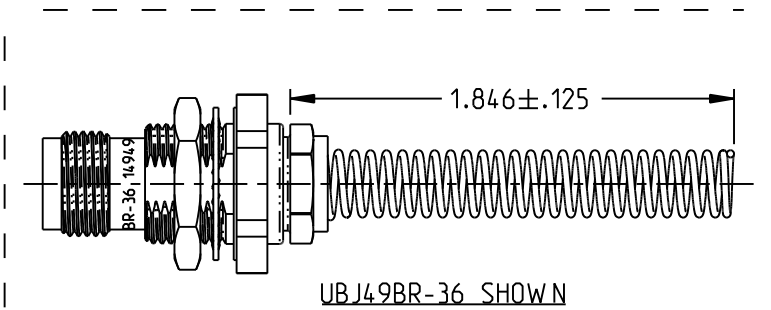
BJ49-1 SHOWN



BJ49-6 SHOWN

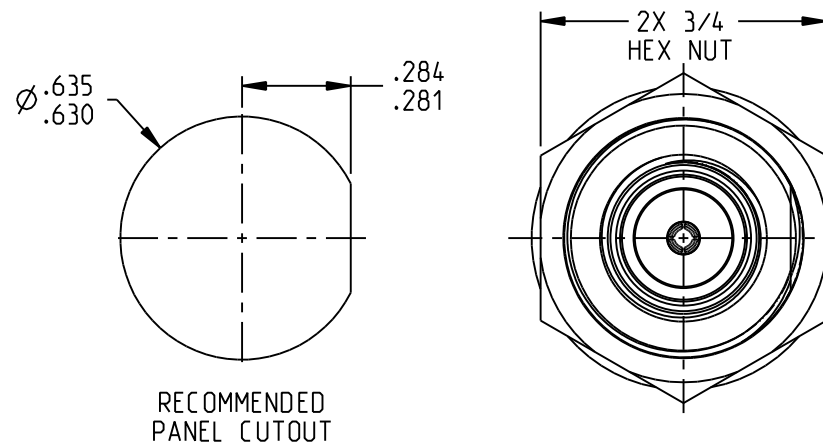


BJ49S-5 SHOWN

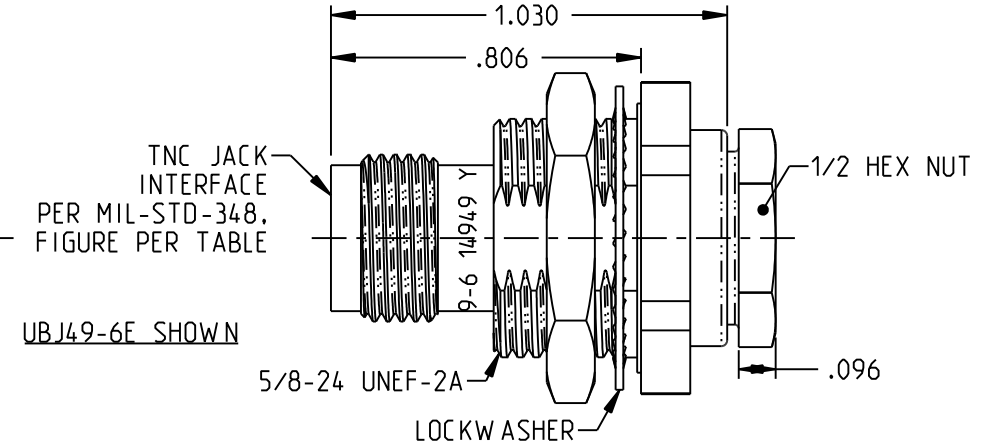


UBJ49BR-36 SHOWN

MODEL NUMBER	INTERFACE FIGURE	CABLE ACCOMMODATED
BJ49ZAA-6	313-2	BELDEN 9231
UBJ49ZAA-6	332-1	
BJ49ZAA-6E	313-2	RG-5, RG-212
UBJ49ZAA-6E	332-1	RG-6
BJ49ZAA-51	313-2	BELDEN 88281
UBJ49ZAA-51	332-1	
BJ49ZAA-52	313-2	BELDEN 89120
UBJ49ZAA-52	332-1	
BJ49ZAA-53	313-2	BELDEN 89555
UBJ49ZAA-53	332-1	



RECOMMENDED PANEL CUTOUT



UBJ49-6E SHOWN

NOTES: UNLESS OTHERWISE SPECIFIED:

- MATERIAL & FINISH:
 - BODY: NICKEL PLATED BRASS
 - DIELECTRIC: PTFE (TEFLON)
 - CENTER CONTACT: GOLD PLATED BERYLLIUM COPPER
 - MOUNTING HARDWARE: NICKEL PLATED COPPER ALLOY
 - GASKET: SILICONE RUBBER
 - BEND RELIEF SPRING: PASSIVATED STAINLESS STEEL

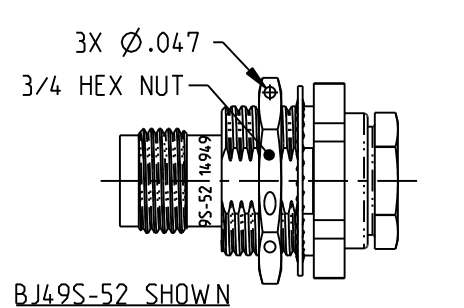
- ELECTRICAL:
 - FREQUENCY (MAX): 500 MHZ
 - IMPEDANCE: NON-CONSTANT

3. PANEL NUT TORQUE (MAX): 35 INCH POUNDS.

4. PANEL THICKNESS (MAX): .218

5. ASSEMBLE PER TAI-101.

6. EXAMPLE OF COMPLETE MODEL NUMBER:



BJ49S-52 SHOWN

	Model No:	XBJ49ZAA-BB	TROMPETER	
	RoHS2	2015/863/EU	Title: TNC BULKHEAD JACK, WRENCH CRIMP	
<small>NOTICE: The information in this drawing is PROPRIETARY and must not be used without the permission of Cinch Connectivity Solutions. It may contain data whose export is restricted. Verify status prior to exporting.</small>	Case Code	14949	Drawing No.	C_1-0173
	UNLESS OTHERWISE SPECIFIED UNITS: INCH	3RD ANGLE PROJECTION	ENGINEER:	C. MONAHAN
INTERPRET DRAWING IN ACCORDANCE WITH ASME Y14.5-2018	DATE:	2/27/2026	Size	B
	DO NOT SCALE DRAWING	Workmanship Std	TFS-4	Sheet 1 OF 1