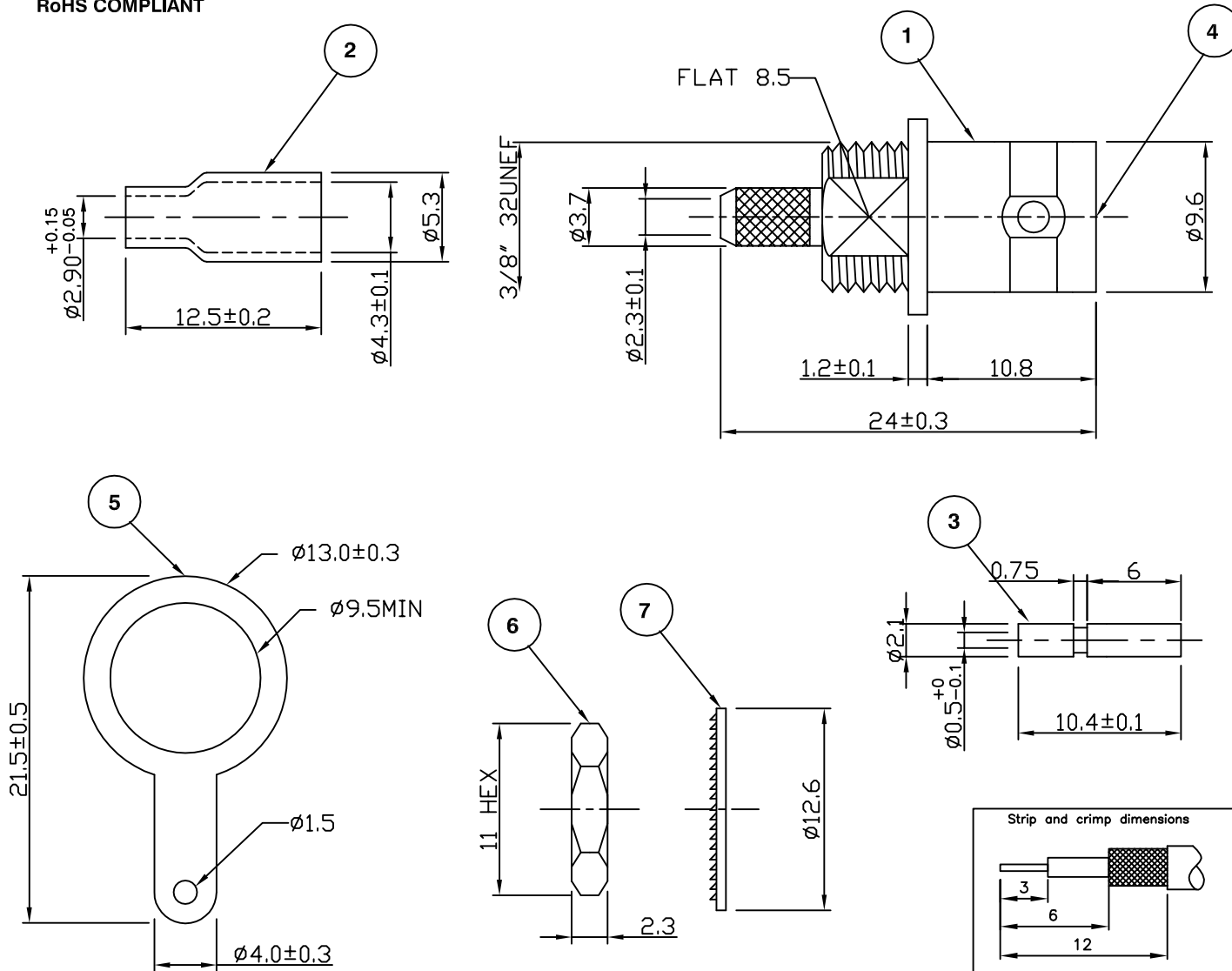


RoHS COMPLIANT



Electrical Characteristics

Nominal Impedance:	75 ohms
Frequency Range:	DC to 1 GHz
VSWR:	1.3:1 maximum
Insertion Loss:	0.2 dB at 1 GHz
Operating Voltage (rms):	500 V maximum at sea level
Dielectric Withstand Voltage (rms):	1500 V maximum at sea level
Contact Resistance:	1.5 milliohms maximum
Insulation Resistance:	5000 megohms minimum

Mechanical Characteristics

Mating Cycles:	500 cycles minimum
Interface Dimensions:	Conform to MIL-C-39012

Environmental Characteristics

Temperature Range:	-65 °C to +165 °C
--------------------	-------------------

PART	DESCRIPTION
1	Body Brass, nickel plated 2.54 μm
2	Ferrule Brass, nickel plated 2.54 μm
3	Contact Brass, gold plated 0.076 μm - 0.127 μm
4	Dielectric PTFE
5	Washer Brass, nickel plated 2.54 μm
6	Nut Brass, nickel plated 2.54 μm
7	Washer Steel, nickel plated 2.54 μm

DESCRIPTION OF REVISION	APPVD	ISS	DATE
Dimensional Update on Item3-Contact	JT	6	02 June 1
Dimensional Update on Item5-Washer	JT	5	26 April 1
Strip Dims Added	MS	4	20 Aug 09
Updated Dimensions	LB	3	23 June 0
CAD Issue	SN	2	05 May 02
First Issue	DW	1	20 Feb 98

For stripping and assembly instructions see Drawing Number: VAIB6101



Cinch Connectivity Solutions
7-13 Russel Way,
Widford Industrial Estate,
Chelmsford, Essex,
CM1 3AA, UK.
Tel: +44 (0) 1245 359515
Fax: +44 (0) 1245 358938

SCALE: Not To Scale
DIMENSIONS: mm
TOLERANCES:
± 0.2mm unless
otherwise stated

DRAWN BY: S Nash
CHECKED BY: S Nash
APPROVED BY: P D Couzens
DATE: 05 May 02

TITLE:
BNC Crimp Panel Mount Jack
(front entry) for RG179

PART NUMBER:
VB60-2061
PAGE: 1 of 1