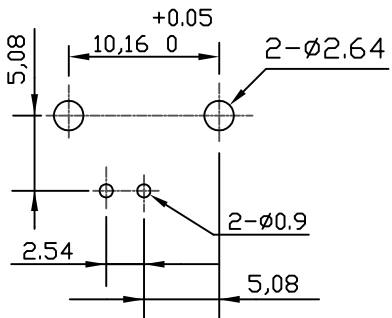
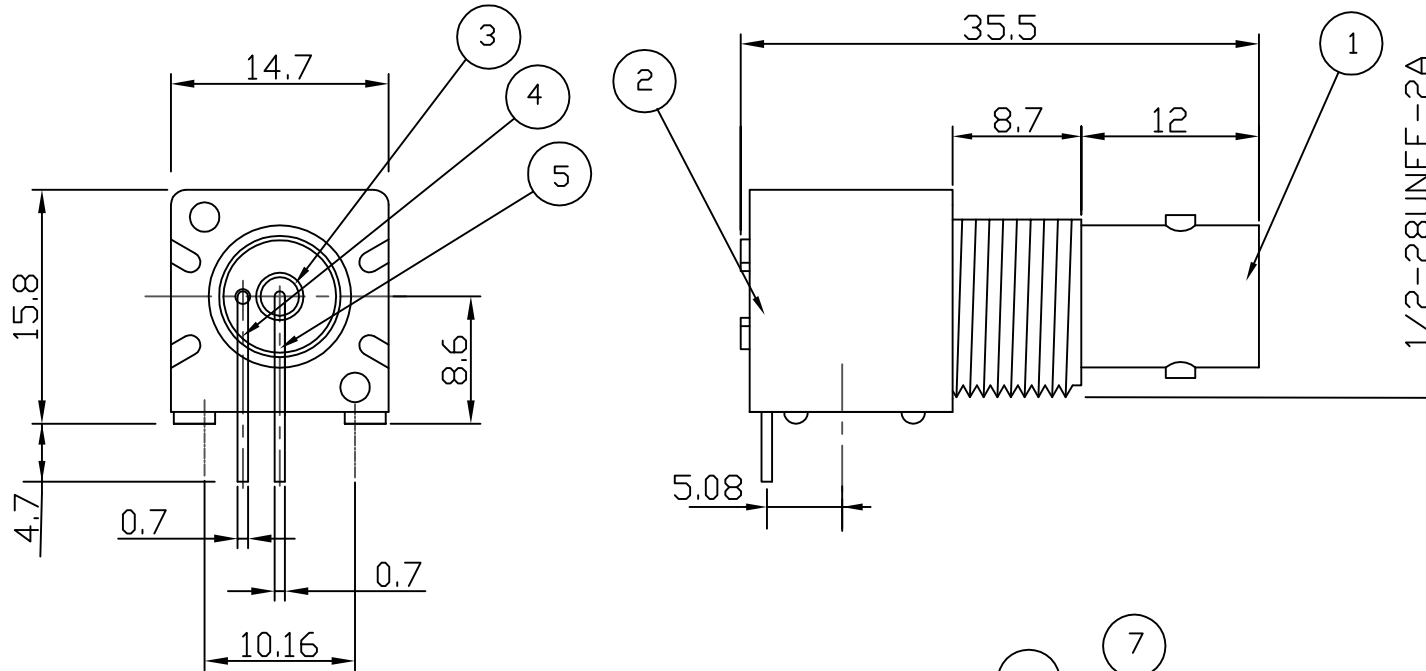
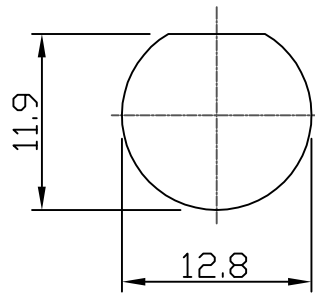


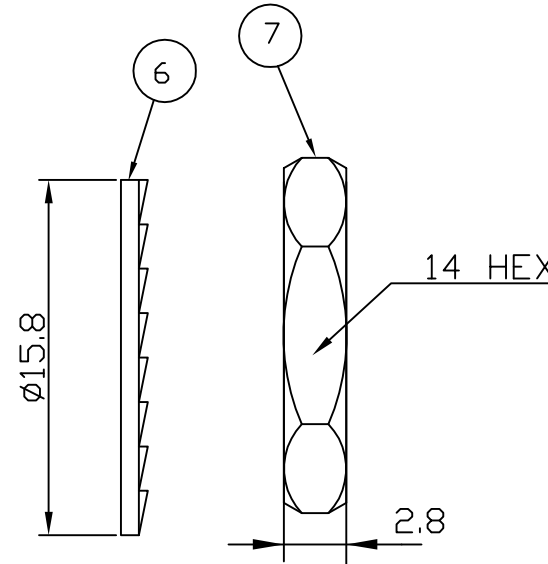
RoHS COMPLIANT



RECOMMENDED PCB LAYOUT



RECOMMENDED PANEL CUTOUT



**Electrical Characteristics**

Nominal Impedance:	50 ohms
Frequency Range:	DC to 4 GHz
VSWR:	1.3:1 maximum
Insertion Loss:	0.2 dB at 3 GHz
Operating Voltage (rms):	500 V maximum at sea level
Dielectric Withstand Voltage (rms):	1500 V maximum at sea level
Contact Resistance:	1.5 milliohms maximum
Insulation Resistance:	5000 megohms minimum

**Mechanical Characteristics**

Mating Cycles:	500 cycles minimum
Interface Dimensions:	Conform to MIL-C-39012

**Environmental Characteristics**

Temperature Range:	-65 °C to +165 °C
--------------------	-------------------

PART	DESCRIPTION	
1	Shell	Zinc Alloy, nickel plated
2	Body	P.B.T. UL94V-0
3	Dielectric	Polypropylene
4	Ground Terminal	Copper-Clad Steel, tin plated
5	Socket Contact	Phosphor Bronze, gold plated
6	Lock Washer	Brass, nickel plated
7	Hex Nut	Brass, nickel plated

DESCRIPTION OF REVISION	APPVD	ISS	DATE
Layout updated	KA	4	17 Mar 08
CAD Issue	SN	3	14 Jan 02
Dimensional changes	PDC	2	04 Feb 00
First Issue	AT	1	19 Dec 97



Cinch Connectivity Solutions  
7-13 Russel Way,  
Widford Industrial Estate,  
Chelmsford, Essex,  
CM1 3AA, UK.  
Tel: +44 (0) 1245 359515  
Fax: +44 (0) 1245 358938

SCALE: Not To Scale  
DIMENSIONS: mm  
TOLERANCES:  
± 0.2mm unless  
otherwise stated

DRAWN BY: S Nash  
CHECKED BY: S Nash  
APPROVED BY: M Nielsen  
DATE: 14 Jan 02

TITLE:  
**BNC R/A PCB Mount Jack  
With Screws**

PART NUMBER:  
**VBI202**

PAGE: 1 of 1