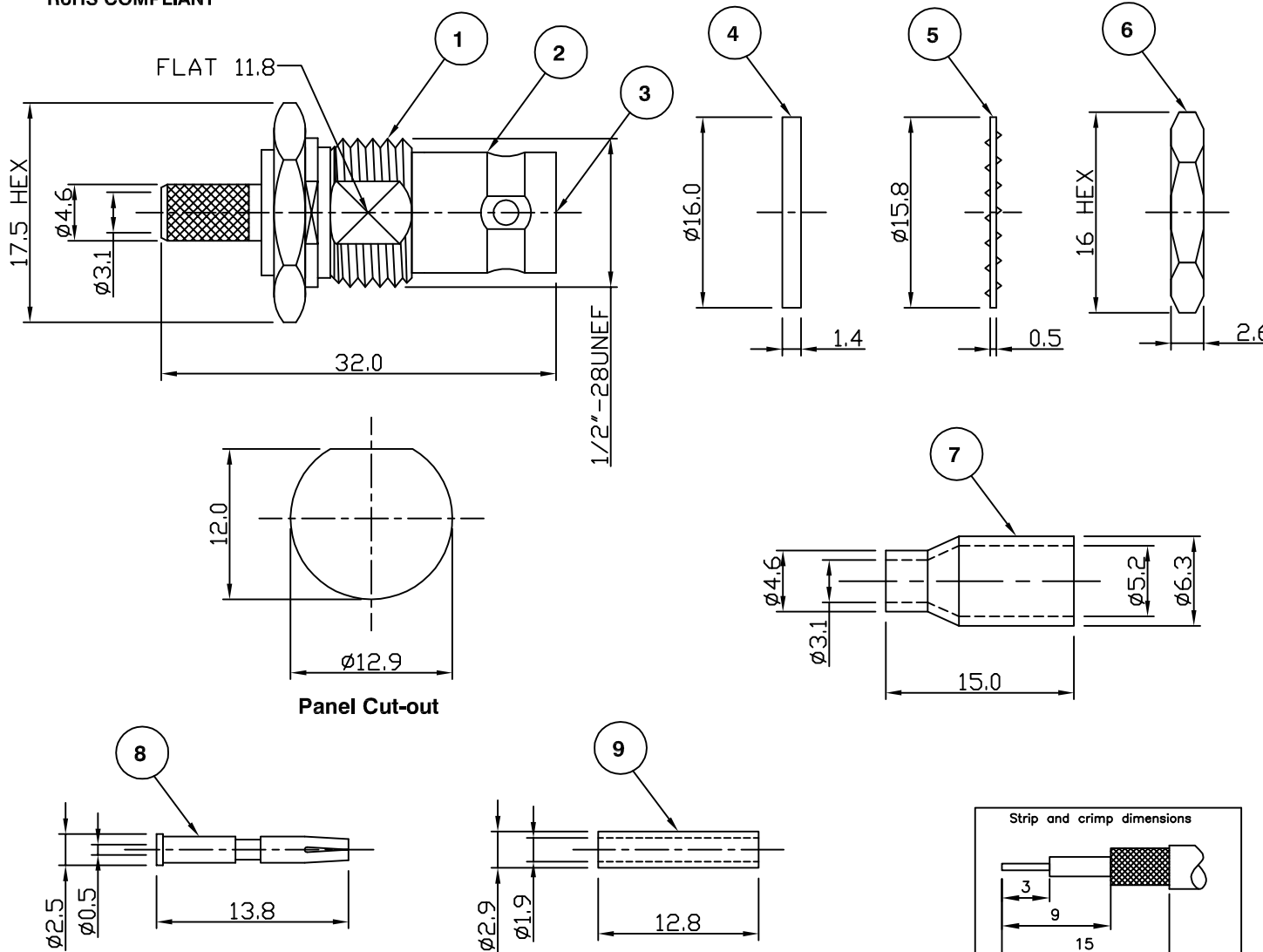


RoHS COMPLIANT



Electrical Characteristics

Nominal Impedance:	50 ohms
Frequency Range:	DC to 4 GHz
VSWR:	1.35:1 maximum
Insertion Loss:	0.2 dB at 3 GHz
Operating Voltage (rms):	500 V maximum at sea level
Dielectric Withstand Voltage (rms):	1500 V maximum at sea level
Contact Resistance:	1.5 milliohms maximum
Insulation Resistance:	5000 megohms minimum

Mechanical Characteristics

Mating Cycles:	500 cycles minimum
Interface Dimensions:	Conform to MIL-C-39012

Environmental Characteristics

Temperature Range:	-55 °C to +85 °C
--------------------	------------------

PART	DESCRIPTION
1	Body Insulation ABS
2	Body Brass, nickel plated
3	Dielectric POM
4	Gasket Rubber
5	Washer Steel, nickel plated
6	Nut Brass, nickel plated
7	Ferrule Brass, nickel plated
8	Contact Phosphor Bronze, gold plated
9	Insulator POM

Dimensional update on items 4 & 5	JT	2	29 April 10
First Issue	SN	1	22 Nov 02
DESCRIPTION OF REVISION	APPVD	ISS	DATE

For stripping and assembly instructions see Drawing Number: VAIB4103



Cinch Connectivity Solutions
 7-13 Russel Way,
 Widford Industrial Estate,
 Chelmsford, Essex,
 CM1 3AA, UK.
 Tel: +44 (0) 1245 359515
 Fax: +44 (0) 1245 358938

SCALE: Not To Scale	DRAWN BY: S Nash
DIMENSIONS: mm	CHECKED BY: P Couzens
TOLERANCES: ± 0.2mm unless otherwise stated	APPROVED BY: P Couzens
	DATE: 22 Nov 02

TITLE:
**Insulated BNC Crimp
 Bulkhead Jack for Triple
 Coax**

PART NUMBER:
VBI40-2087

PAGE: 1 of 1