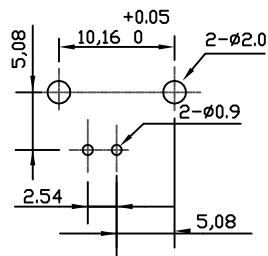
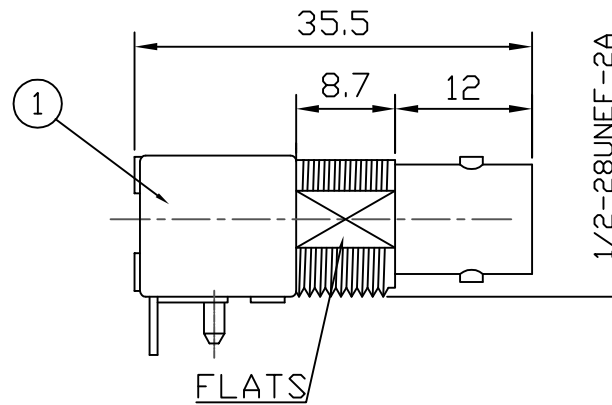
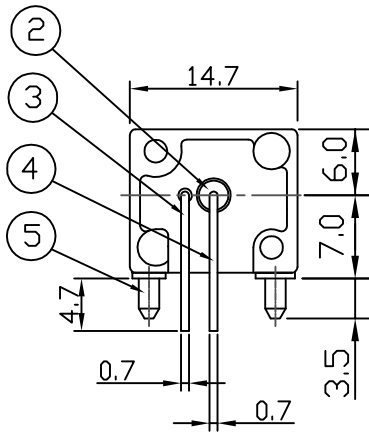
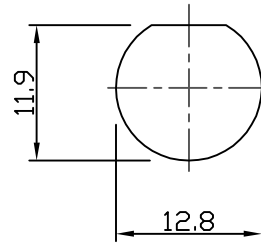


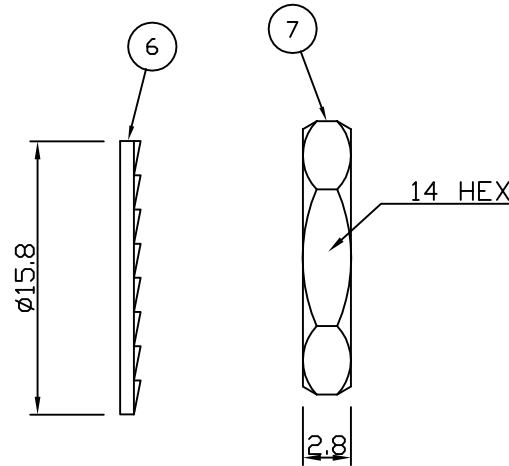
RoHS COMPLIANT



RECOMMENDED PCB LAYOUT



RECOMMENDED PANEL CUTOUT



**Electrical Characteristics**

Nominal Impedance:	50 ohms
Frequency Range:	DC to 4 GHz
VSWR:	1.3:1 maximum
Insertion Loss:	0.2 dB at 3 GHz
Operating Voltage (rms):	500 V maximum at sea level
Dielectric Withstand Voltage (rms):	1500 V maximum at sea level
Contact Resistance:	3.0 milliohms maximum
Insulation Resistance:	5000 megohms minimum

**Mechanical Characteristics**

Mating Cycles:	500 cycles minimum
Interface Dimensions:	Conform to MIL-C-39012

**Environmental Characteristics**

Temperature Range:	-55 °C to +85 °C
--------------------	------------------

REF.	DESCRIPTION	MATERIAL	PLATING
1	Body	Zinc Alloy	Nickel
2	Insulator	Polypropylene	
3	Ground Terminal	Copper-clad steel	Tin
4	Socket Contact	Phosphor	Gold
5	Mount Post	Brass	Tin >5 Microns
6	Lock Washer	Brass	Nickel
7	Hex Nut	Brass	Nickel

DESCRIPTION OF REVISION	APPVD	ISS	DATE
Complete Update	KA	4	13 Mar 08
Updated for RoHS compliance	JW	3	30 Aug 06
CAD Issue	SN	2	01 May 02
First Issue	SN	1	15 March 00



Cinch Connectivity Solutions.  
7-13 Russel Way,  
Widford Industrial Estate,  
Chelmsford, Essex,  
CM1 3AA, UK.  
Tel: +44 (0) 1245 359515  
Fax: +44 (0) 1245 358938

SCALE: Not To Scale

DIMENSIONS: mm

TOLERANCES:  
± 0.2mm unless  
otherwise stated

DRAWN BY:

J Williams

CHECKED BY:

A Tusi

APPROVED BY:

A Herbert

DATE:

30 Aug 06

TITLE:

BNC Right Angle PCB Mount  
Jack Low Profile

PART NUMBER:

**VBM211**

PAGE: 1 of 1