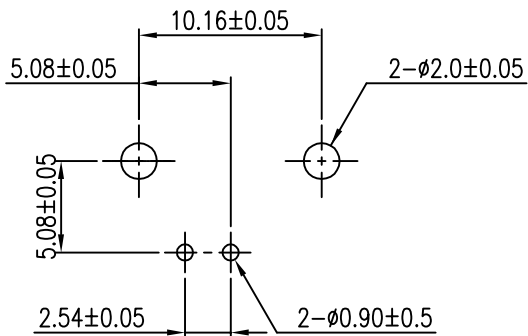
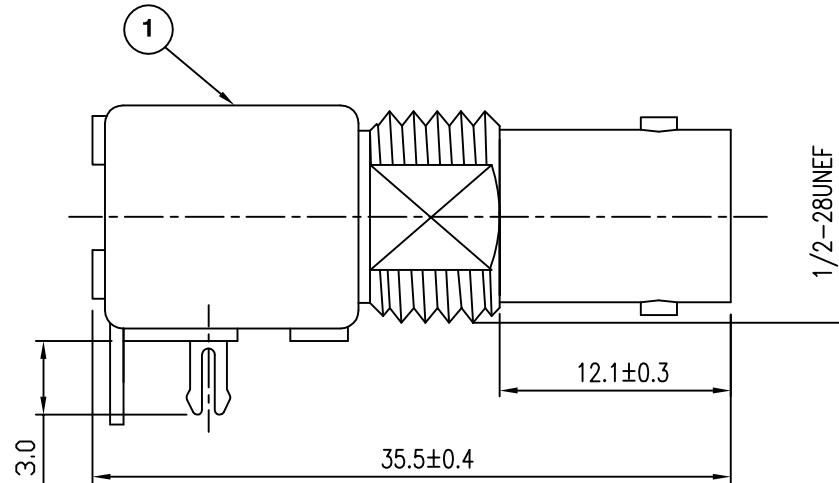
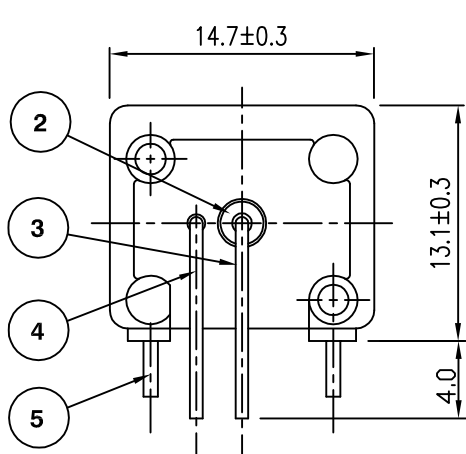
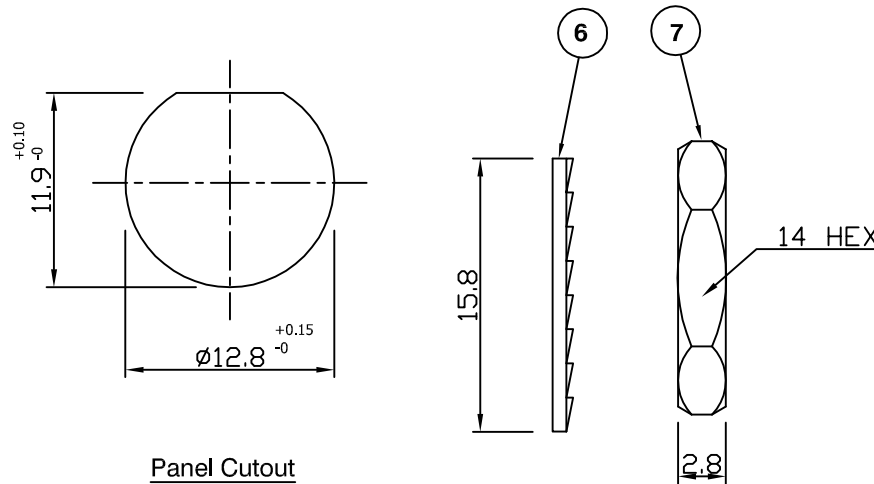


RoHS COMPLIANT



Recommended PCB Layout



Panel Cutout

Electrical Characteristics

Nominal Impedance:	50 ohms
Frequency Range:	DC to 4 GHz
VSWR:	1.3:1
Insertion Loss:	0.2dB at 3 GHz
Operating Voltage (rms):	500 V maximum at sea level
Dielectric Withstand Voltage (rms):	1500 V maximum at sea level
Contact Resistance:	1.5 milliohms maximum
Insulation Resistance:	5000 megohms minimum

Mechanical Characteristics

Mating Cycles:	500 cycles minimum
Interface Dimensions:	Conform to MIL-C-39012

Environmental Characteristics

Temperature Range:	-55 °C to +85 °C
--------------------	------------------

PART	DESCRIPTION	
1	Body	Zinc Alloy, nickel plated
2	Dielectric	Polypropylene, UL94V-0
3	Contact	Phosphor Bronze, gold plated
4	Ground Contact	Copper Clad Steel, tin plated >5 Microns
5	Mounting Lock	Brass, tin plated
6	Lock Washer	Brass, Nickel plated
7	Hex Nut	Brass, Nickel plated

First Issue	SN	1	02 Jan 03
DESCRIPTION OF REVISION	APPVD	ISS	DATE



Cinch Connectivity Solutions
7-13 Russel Way,
Widford Industrial Estate,
Chelmsford, Essex,
CM1 3AA, UK.
Tel: +44 (0) 1245 359515
Fax: +44 (0) 1245 358938

SCALE: Not To Scale

DIMENSIONS: mm

TOLERANCES:
± 0.2mm unless
otherwise stated

DRAWN BY:

S Nash

CHECKED BY:

P Couzens

APPROVED BY:

P Couzens

DATE:

02 Jan 03

TITLE:

Low Profile BNC Shielded
Right Angle PCB Mount
Jack for 1.7mm board
thickness

PART NUMBER:

VBM211C-1672

PAGE: 1 of 1