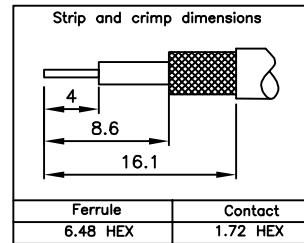
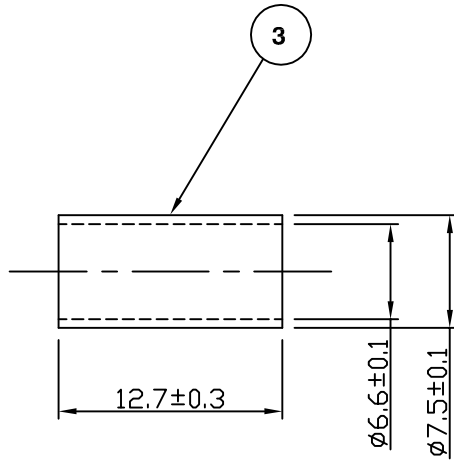
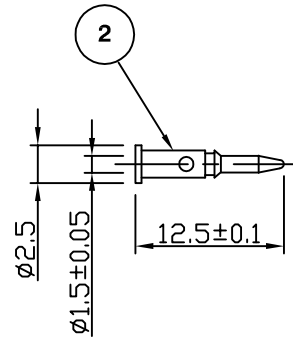
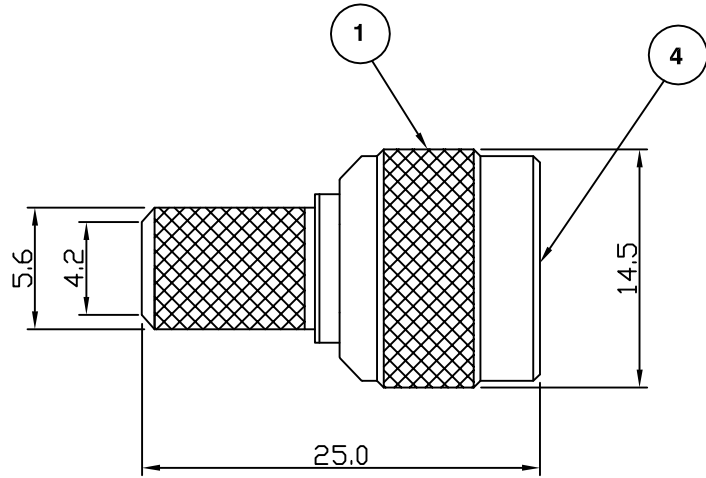


RoHS COMPLIANT



Electrical Characteristics

Nominal Impedance:	50 Ohm
Frequency Range:	DC-1GHz
Operating Voltage (rms):	500 V maximum at sea level
Dielectric Withstand Voltage (rms):	1500 V maximum at sea level
Contact Resistance:	1.5 milliohms maximum
Insulation Resistance:	5000 megohms minimum

Mechanical Characteristics

Mating Cycles:	500 cycles minimum
Interface Dimensions:	Conform to MIL-C-39012

PART	DESCRIPTION
1	Body Brass, nickel plated
2	Pin Brass, gold plated
3	Ferrule Brass, nickel plated
4	Insulator Derlin

Drawing Updated	JT	2	23 Mar 10
First Issue	BT	1	28 July 08
DESCRIPTION OF REVISION	APPVD	ISS	DATE



Cinch Connectivity Solutions
7-13 Russel Way,
Widford Industrial Estate,
Chelmsford,
Essex, CM1 3AA, UK
Tel: +44 (0) 1245 359515
Fax: +44 (0) 1245 358938

SCALE: Not To Scale

DIMENSIONS: mm

TOLERANCES:
± 0.2mm unless
otherwise stated

DRAWN BY:

B Thomas

CHECKED BY:

M Spooner

APPROVED BY:

M Spooner

DATE:

28 July 08

TITLE:

TNC Crimp plug for LMR 240

PART NUMBER:

VT10-2110

PAGE: 1 of 1