

NOTES

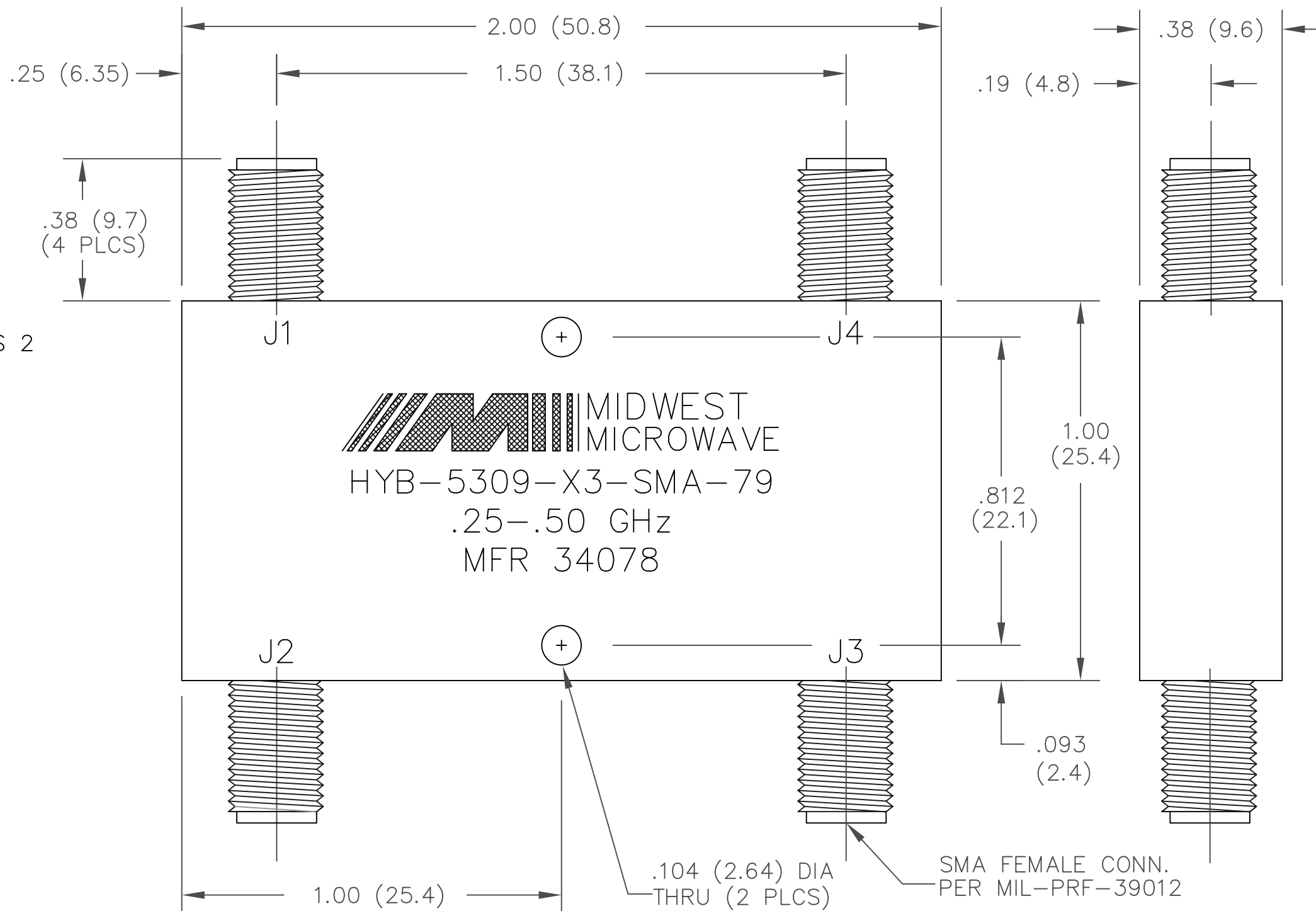
1.0 ELECTRICAL SPECIFICATIONS:

- 1.1 FREQUENCY RANGE: .25-.50 GHz
- 1.2 AMPLITUDE BALANCE: ±0.5 dB
- 1.3 ISOLATION: 25dB MIN
- 1.4 VSWR: 1.20:1 MAX.
- 1.5 INSERTION LOSS: .20dB MAX.
- 1.6 INPUT POWER:
 - 1.6.1 AVERAGE: 50 WATTS
 - 1.6.2 PEAK: 3 KILOWATTS

2.0 FINISHING

- 2.1 GREY OVER MIL-E-15090 TYPE II, CLASS 2
OVER MIL-C-5541 CLASS 3A
MEETS MIL-F-14072
MEETS MIL-E-5400 AND MIL-E-16400V.
- 2.2 MARK UNIT AS SHOWN.
(REF: SLK-09003-82-03)

3.0 DIMENSIONS IN PARENTHESIS ARE IN MILLIMETERS.



MODEL NUMBER
HYB-5309-X3-SMA-79

DATE	6/24/93	6/20/05
DESCRIPTION	RELEASED	ADDED TITLEBLOCK
REV.	-	-1

NOTICE: The information contained in this drawing is proprietary and must not be used without the permission of Emerson Network Power.

UNLESS OTHERWISE NOTED DIMENSIONS ARE IN INCHES AND TOLERANCES ARE:
 3 PLACE DECIMALS ±.005
 2 PLACE DECIMALS ±.02
 FRACTIONS ±1/64
 PARALLELITY: T.I.R. _____
 FLATNESS: T.I.R. _____
 CONCENTRICITY: T.I.R. _____
 ANGLES AND PERPENDICULARITY: ±1°

CAGE CODE 34078		MIDWEST MICROWAVE	
 EMERSON Network Power Connectivity Solutions		TITLE HYBRID COUPLER OUTLINE DRAWING	
		DRAWING NUMBER HYB-5309-X3-SMA-79-01	REV. -1
DRAWN/DATE M.HOLLMAN 6/11/93 CHECKED/DATE A.BEATTY 6/21/93	ENG./DATE P.GOODMAN 6/24/93 APPROVED/DATE	SCALE: 3=1	SHEET 1 of 1