

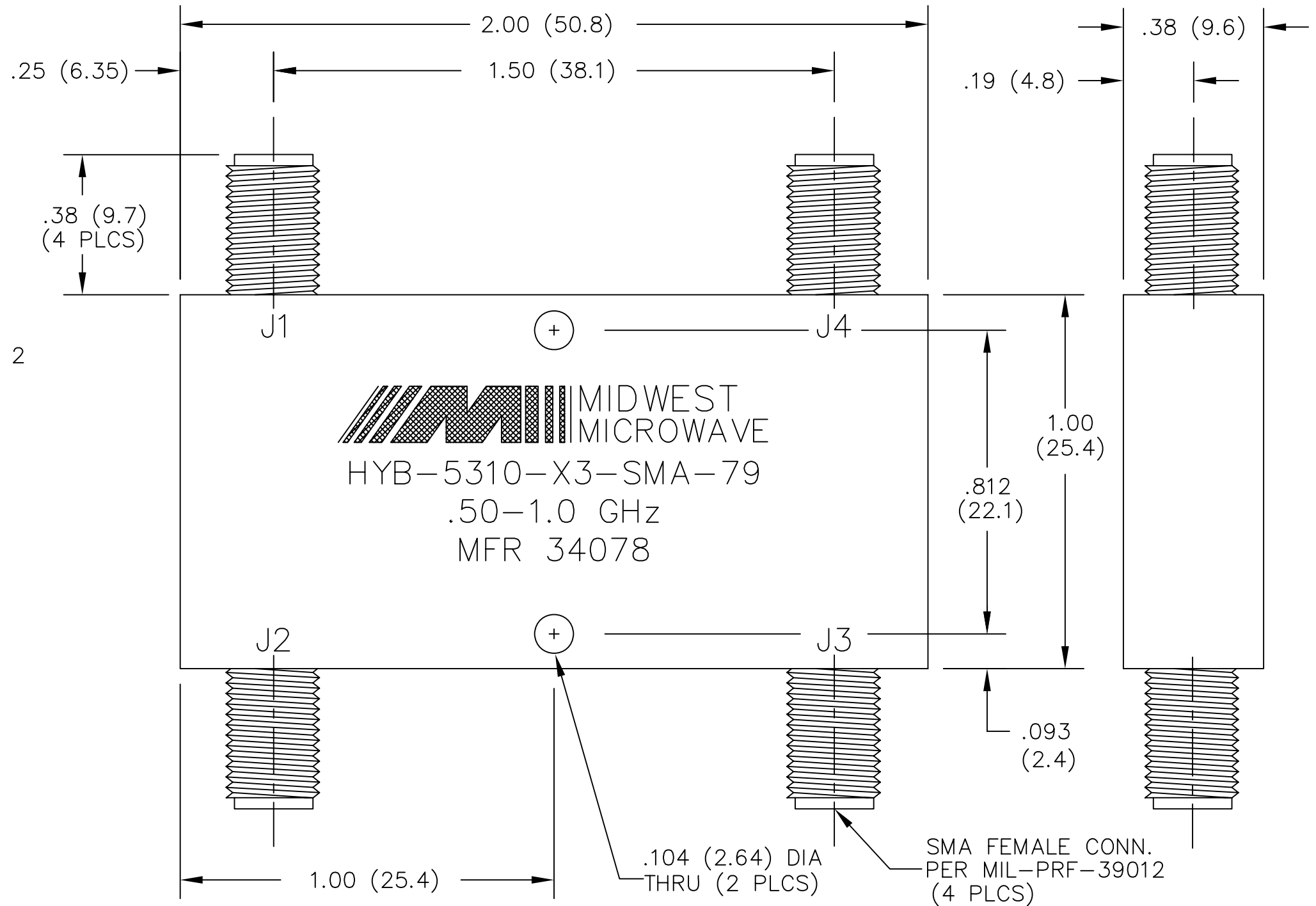
NOTES

- 1.0 ELECTRICAL SPECIFICATIONS:
- 1.1 FREQUENCY RANGE: .50-1.0 GHz
- 1.2 AMPLITUDE BALANCE: ±0.5 dB
- 1.3 ISOLATION: 25dB MIN
- 1.4 VSWR: 1.20:1 MAX.
- 1.5 INSERTION LOSS: .20dB MAX.
- 1.6 INPUT POWER:
- 1.6.1 AVERAGE: 50 WATTS
- 1.6.2 PEAK: 3 KILOWATTS

2.0 FINISHING

- 2.1 GREY OVER MIL-E-15090 TYPE II, CLASS 2
OVER MIL-C-5541 CLASS 3A
MEETS MIL-F-14072
MEETS MIL-E-5400 AND MIL-E-16400V.
- 2.2 MARK UNIT AS SHOWN.
(REF: SLK-09003-82-04)

3.0 DIMENSIONS IN PARENTHESIS ARE IN MILLIMETERS.



MODEL NUMBER	HYB-5310-X3-SMA-79
REV.	-1

6/24/93	6/21/05
RELEASED	ADDED TITLEBLOCK
-	-1

UNLESS OTHERWISE NOTED DIMENSIONS ARE IN INCHES AND TOLERANCES ARE: 3 PLACE DECIMALS ±.005 2 PLACE DECIMALS ±.02 FRACTIONS ±1/64 PARALLELITY: T.I.R. _____ FLATNESS: T.I.R. _____ CONCENTRICITY: T.I.R. _____ ANGLES AND PERPENDICULARITY: ±1°	FSCM NO. 34078	MIDWEST MICROWAVE
	NOTICE: The information contained in this drawing is proprietary and must not be used without the permission of Midwest Microwave	
DRAWN/DATE M.HOLLMAN 8/11/93		ENG./DATE P.GOODMAN 6/24/93
CHECKED/DATE A.BEATTY 6/21/93		APPROVED/DATE
TITLE HYBRID COUPLER		DRAWING NUMBER HYB-5310-X3-SMA-79
SCALE: 3=1		SHEET 1 of 1