

MODEL NUMBER
HYB-5311-X3-SMA-79

NOTES

1.0 ELECTRICAL SPECIFICATIONS:

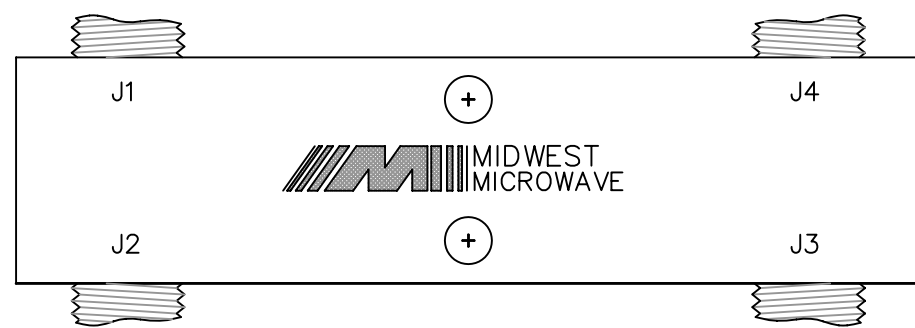
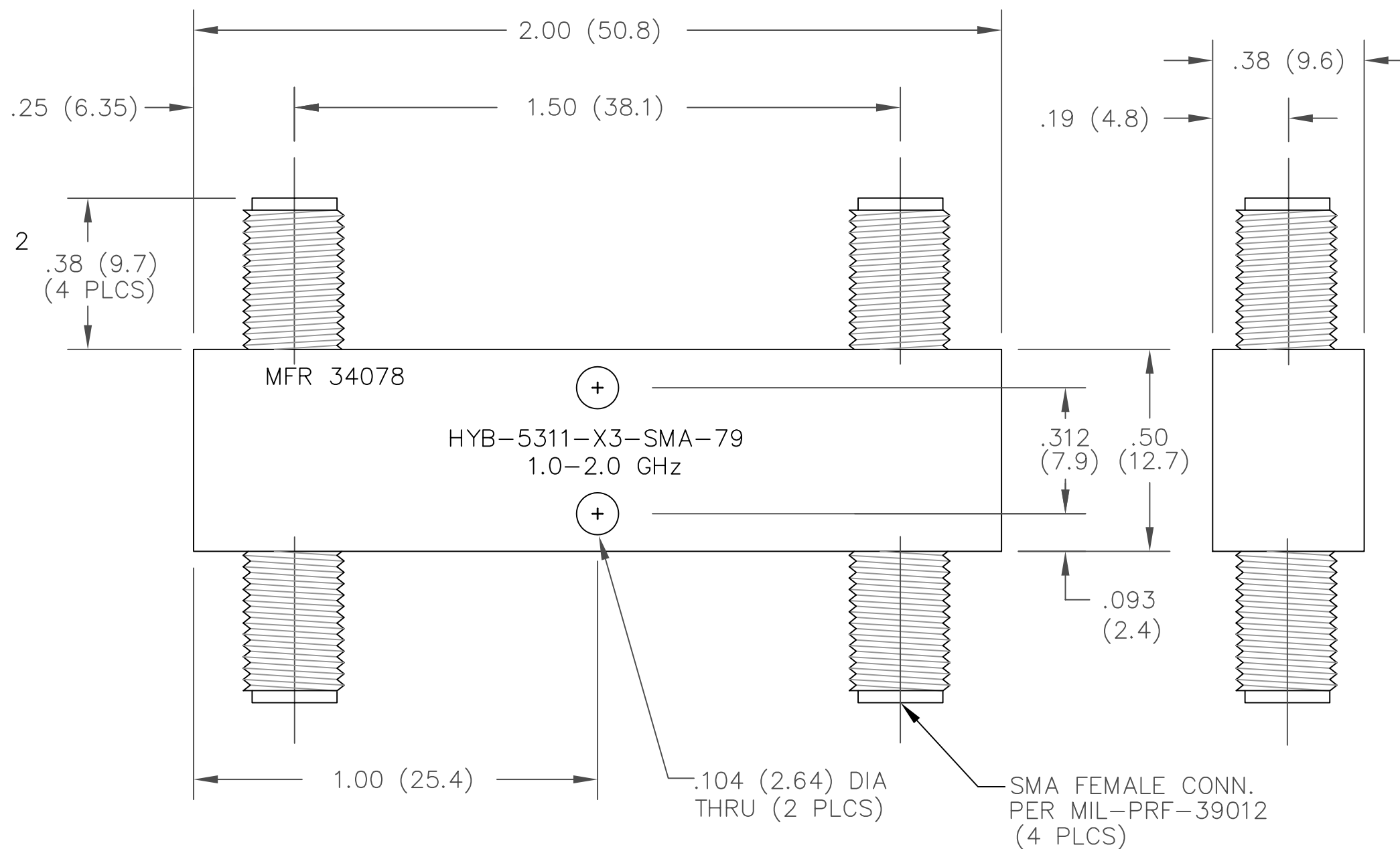
- 1.1 FREQUENCY RANGE: 1.0 to 2.0 GHz
- 1.2 AMPLITUDE BALANCE: ±0.5 dB
- 1.3 ISOLATION: 22dB MIN
- 1.4 VSWR: 1.20:1 MAX.
- 1.5 INSERTION LOSS: .20dB MAX.
- 1.6 INPUT POWER:
 - 1.6.1 AVERAGE: 50 WATTS
 - 1.6.2 PEAK: 3 KILOWATTS

2.0 FINISHING

- 2.1 GREY OVER MIL-E-15090 TYPE II, CLASS 2
OVER MIL-C-5541 CLASS 3A
MEETS MIL-F-14072
MEETS MIL-E-5400 AND MIL-E-16400V.

2.2 MARK UNIT AS SHOWN.

3.0 DIMENSIONS IN PARENTHESIS ARE IN MILLIMETERS.



BACK SIDE MARKING

NOTICE: The information contained in this drawing is proprietary and must not be used without the permission of Emerson Network Power.

UNLESS OTHERWISE NOTED DIMENSIONS ARE IN INCHES AND TOLERANCES ARE:
 3 PLACE DECIMALS ±.005
 2 PLACE DECIMALS ±.02
 FRACTIONS ±1/64
 PARALLELITY: T.I.R. _____
 FLATNESS: T.I.R. _____
 CONCENTRICITY: T.I.R. _____
 ANGLES AND PERPENDICULARITY: ±1°

CAGE CODE 34078		MIDWEST MICROWAVE	
		TITLE HYBRID COUPLER OUTLINE DRAWING	
		DRAWN/DATE M.HOLLMAN 8/31/92	ENG./DATE P.GOODMAN 9/1/92
DRAWING NUMBER HYB-5311-X3-SMA-79-01		REV. B	
SCALE: 3=1		SHEET 1 of 1	

DATE	9/1/92
DESCRIPTION	RELEASED
REV.	-1
	B
ADDED TITLEBLOCK	6/21/05
ECO	22841
	11/15/10