

MODEL NUMBER  
HYB-5325-X3-SMA-79  
REV.  
A1

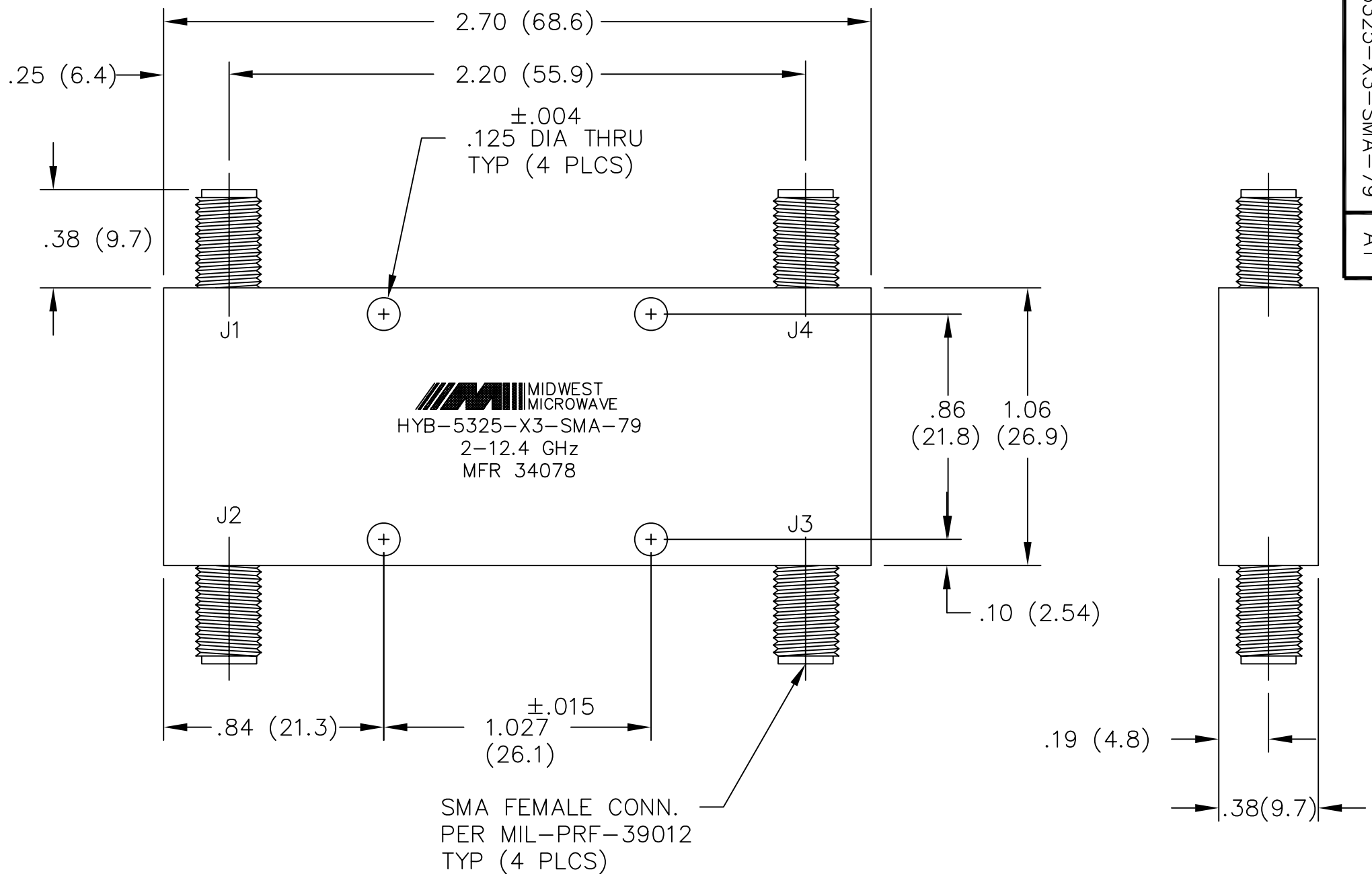
NOTES:

- 1.0 SPECIFICATIONS:  
 1.1 FREQUENCY RANGE: 2.0 to 12.4 GHz  
 1.2 INSERTION LOSS: 1.2dB MAX.  
 1.3 AMPLITUDE BALANCE:  $\pm 0.75$ dB  
 1.4 PHASE BALANCE:  $\pm 7.0^\circ$   
 1.5 VSWR: 1.45:1 MAX.  
 1.6 ISOLATION: 17dB MAX.  
 1.7 INPUT POWER:  
 1.7.1 AVG. POWER: 30 WATTS  
 1.7.2 PEAK POWER: 3 KILOWATTS  
 1.8 WEIGHT: 2.3 oz. (65g)

- 2.0 FINISH:  
 2.1 GREY OVER MIL-C-15090 TYPE II CLASS 2  
 OVER MIL-C-5541 CLASS 3A  
 MEETS MIL-F-14072  
 MEETS MIL-E-5400 AND MIL-E-16400V.

- 3.0 MARKING:  
 MARK UNIT AS SHOWN.  
 (REF: SLK-08914-82-03)

- 4.0 DIMENSIONS IN PARENTHESIS ARE IN MILLIMETERS



REV.	DESCRIPTION	DATE
-	RELEASED	8/2/93
A	ECN 13929	9/21/94
A1	ADDED TITLEBLOCK	6/22/05

UNLESS OTHERWISE NOTED DIMENSIONS ARE IN INCHES AND TOLERANCES ARE: 3 PLACE DECIMALS $\pm 0.005$ 2 PLACE DECIMALS $\pm 0.02$ FRACTIONS $\pm 1/64$ PARALLELITY: T.I.R. _____ FLATNESS: T.I.R. _____ CONCENTRICITY: T.I.R. _____ ANGLES AND PERPENDICULARITY: $\pm 1^\circ$	FSCM NO. <b>34078</b>	<b>MIDWEST MICROWAVE</b>
	NOTICE: The information contained in this drawing is proprietary and must not be used without the permission of Midwest Microwave	
DRAWING NUMBER HYB-5325-X3-SMA-79		TITLE HYBRID COUPLER
SCALE: 2=1		SHEET 1 of 1