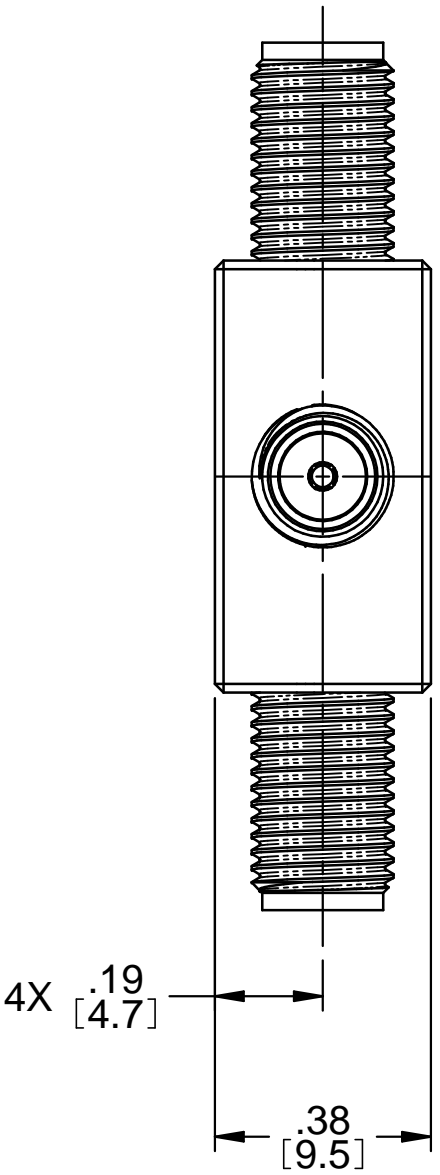
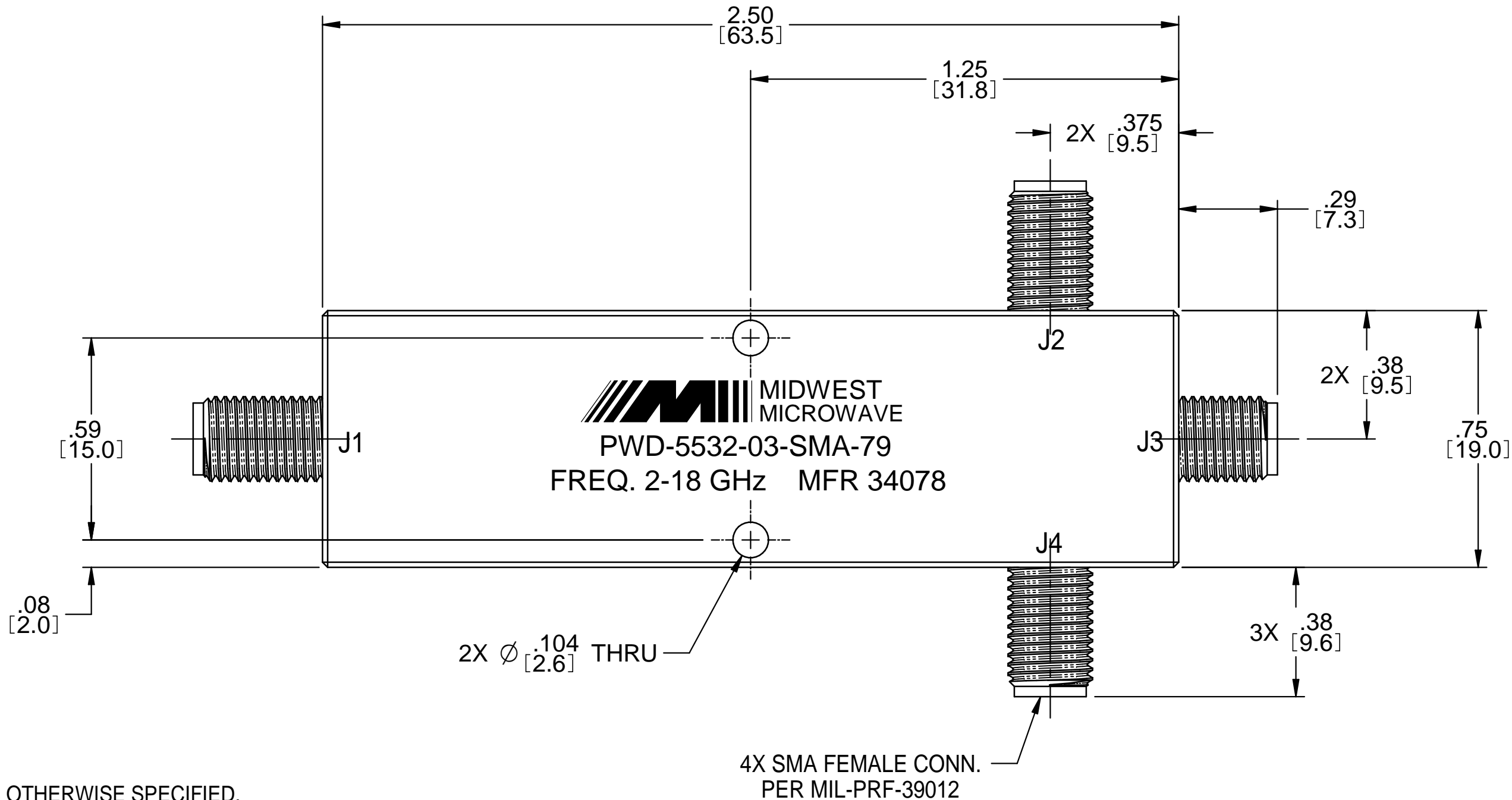
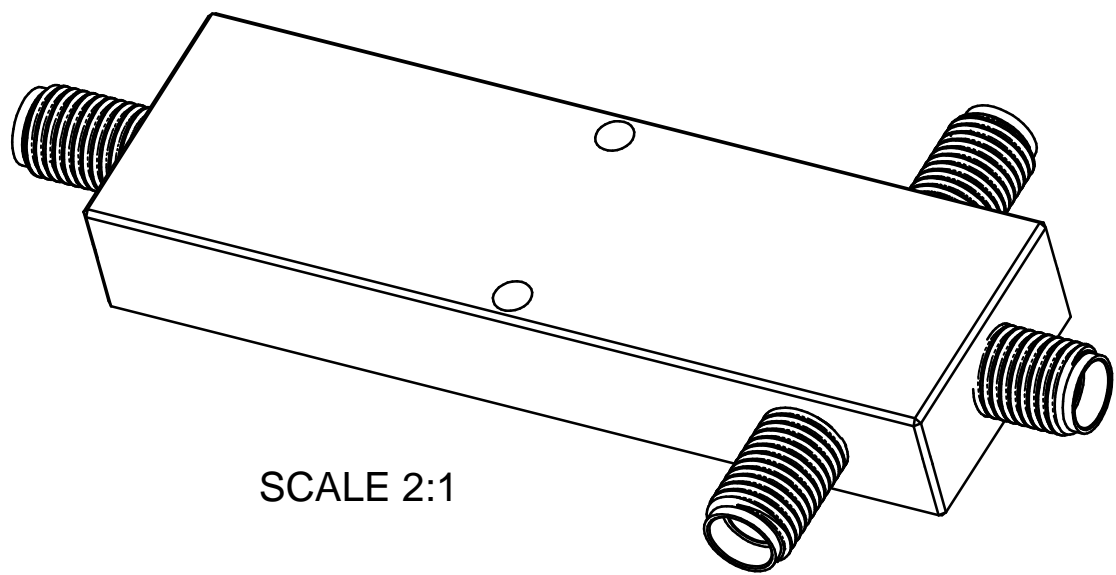


ZONE	REV	ECO	DESCRIPTION	APPR.	DATE
	C	18601			10/30/02
	D	23117			12/22/10
	E	24395		JRK	8/13/12



NOTES: UNLESS OTHERWISE SPECIFIED.

1. ELECTRICAL SPECIFICATIONS:
 - 1.1 FREQUENCY RANGE: 2.0 TO 18.0 GHz
 - 1.2 INSERTION LOSS: 1.0 dB MAX.
 - 1.3 ISOLATION: 20 dB MIN.
 - 1.4 VSWR: 1.50:1 MAX.
 - 1.5 OUTPUT UNBALANCE:
 - 1.5.1 AMPLITUDE: 0.5 dB MAX.
 - 1.5.2 PHASE: 5° MAX.
 - 1.6 MAXIMUM INPUT POWER:
 - 5 WATTS WITH OUTPUT LOAD VSWR ≤ 2.0:1
 - 10 WATTS WITH OUTPUT LOAD VSWR ≤ 1.5:1
 - 20 WATTS WITH OUTPUT LOAD VSWR ≤ 1.4:1
 - 30 WATTS WITH OUTPUT LOAD VSWR ≤ 1.2:1
 - 1.7 OPERATING TEMP. RANGE: -65°C TO +125°C
2. FINISHING: GRAY OVER MIL-E-15090 TYPE II, CLASS 2 OVER MIL-C-5541 CLASS 3A. MEETS MIL-F-14072 AND MIL-E-5400.
 - 2.1 MARK UNIT AS SHOWN.
3. DIMENSIONS IN BRACKETS ARE MILLIMETERS.

OUTLINE DRAWING

	Model No. PWD-5532-03-SMA-79		MIDWEST MICROWAVE		
	Cage Code 34078		Title POWER DIVIDER		Material
<small>This PROPRIETARY Document is property of Emerson Network Power Connectivity Solutions. It is confidential in nature, non-transferable, and issued with the clear understanding that it is not traced or copied without permission and is returnable upon demand.</small>	UNLESS OTHERWISE SPECIFIED UNITS: INCHES .XX ±.02 .XXX ±.005 ANGLES ±1°		3RD ANGLE PROJECTION - ⊕ - - □ -		Drawing No. PWD-5532-03-SMA-79-01
	Drawn by CWW	Date 10/3/12	Rev. E	Finish	
	Approved by JRK	Date 10/4/12	Size C	DO NOT SCALE DRAWING	Scale 3:1