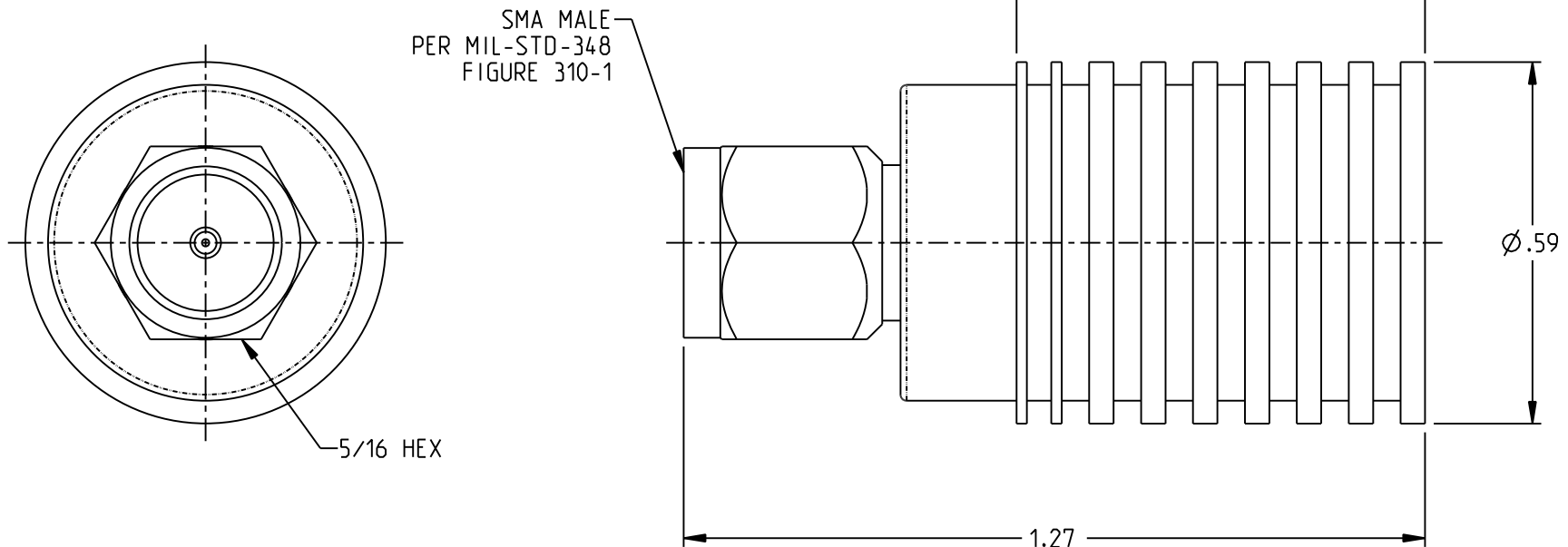
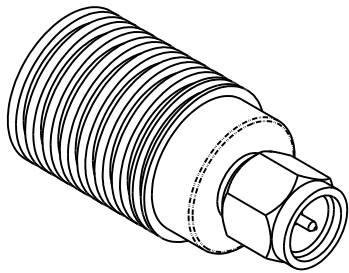


REV	ECO	DATE
001	58762	08/23/2023



NOTES: UNLESS OTHERWISE SPECIFIED

1. MATERIALS & FINISH:

- 1.1 HOUSING: PASSIVATED STAINLESS STEEL
- 1.2 CONNECTOR BODY & TERMINATION BODY: TRI-METAL ALLOY PLATED BRASS
- 1.3 CENTER CONTACT: GOLD PLATED BRASS

2. SPECIFICATIONS:

- 2.1 FREQUENCY RANGE: DC-6 GHz
- 2.2 IMPEDANCE: 50 OHMS NOMINAL
- 2.3 POWER RATING: 5 WATTS
- 2.4 VSWR (MAX): 1.15:1
- 2.5 OPERATING TEMPERATURE: -50°C TO +85°C

<p>NOTICE: The information in this drawing is PROPRIETARY and must not be used without the permission of Cinch Connectivity Solutions. It may contain data whose export is restricted. Verify status prior to exporting.</p> <p>INTERPRET DRAWING IN ACCORDANCE WITH ASME Y14.5-2018</p>	Model No:	CGT-2060-M0-SMA-34	MIDWEST MICROWAVE	
	RoHS2	<input checked="" type="checkbox"/>	Cage Code	34078
	2015/863/EU		3RD ANGLE PROJECTION	
	UNLESS OTHERWISE SPECIFIED UNITS: INCH	ENGINEER:	R. BRENDAL	Title:
	Date:	08/31/2023	Drawing No.	CGT-2060-M0-SMA-34-01
	ANGLES	±2°	REV.	001
	Size	A	DO NOT SCALE DRAWING	Workmanship Std:
				Sheet
				1 OF 1